



**TRINITY GLASS**  
INTERNATIONAL

33615 1st Way S, Federal Way, WA 98003

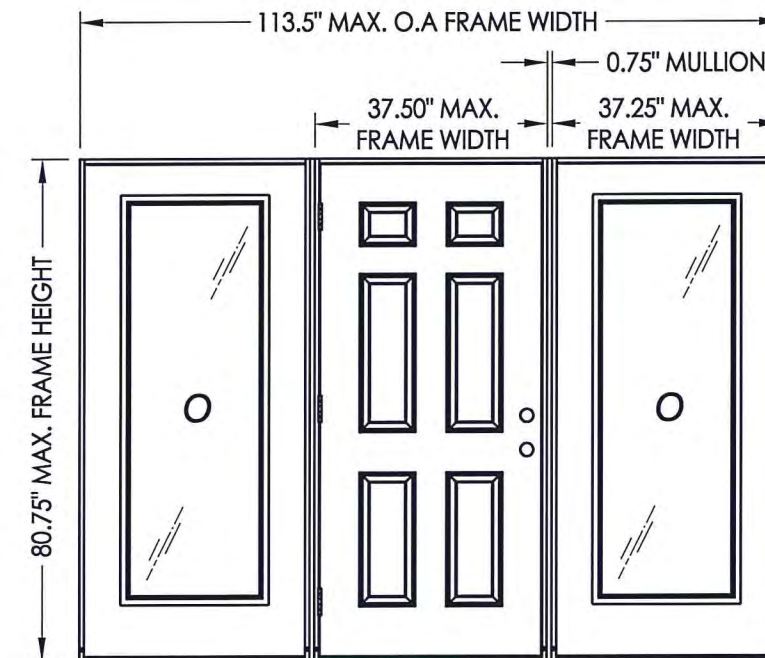
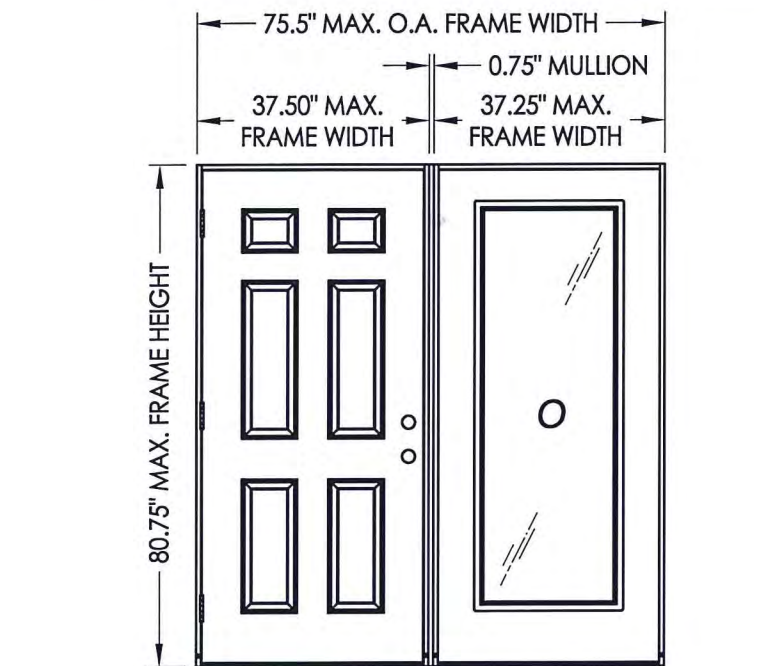
## OPAQUE FIBERGLASS "IMPACT" DOOR with SIDELITE(S) OUTSWING

### GENERAL NOTES

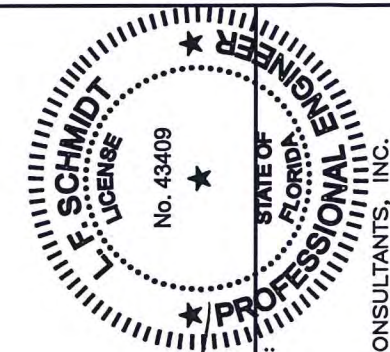
1. This product has been evaluated and is in compliance with the 5th Edition (2014) Florida Building Code (FBC) structural requirements including the "High Velocity Hurricane Zone" (HVHZ).
2. Product anchors shall be as listed and spaced as shown on details. Anchor embedment to base material shall be beyond wall dressing or stucco.
3. When used in the "HVHZ" this product complies with Section 1626 of the Florida Building Code and does not require an impact resistant covering.
4. When used in areas outside of the "HVHZ" requiring wind borne debris protection this product complies with Section 1609.1.2 of the FBC and does not require an impact resistant covering. This product meets missile level "D" and includes Wind Zone 4 as defined in ASTM E1996 and Section 1609.1.2.2 of the FBC.
5. For 2x stud framing construction, anchoring of these units shall be the same as that shown for 2x buck masonry construction.
6. Site conditions that deviate from the details of this drawing require further engineering analysis by a licensed engineer or registered architect.
7. This product meets water infiltration requirements for "HVHZ".

### TABLE OF CONTENTS

SHEET#	DESCRIPTION
1	Typical elevations, design pressures & general notes
2	Door panel details
3	Sidelite panel details and glazing details
4	Elevations
5	Horizontal cross sections
6	Vertical cross sections
7	Vertical cross sections
8	Horizontal and vertical cross sections
9	Buck anchoring
10	Buck anchoring
11	Frame anchoring 2X buck masonry construction
12	Frame anchoring 2X buck masonry construction
13	Frame anchoring 1X buck masonry construction
14	Frame anchoring 1X buck masonry construction
15	Components
16	Bill of materials



CONFIGURATION	MAX. FRAME DIMENSION	JAMB TYPE	DESIGN PRESSURE (PSF)	
			POSITIVE	NEGATIVE
OX/XO	74.50" x 80.75"	WOOD	+60.0	-70.0
		FIBERGLASS/COMP	+55.0	-55.0
OXO	113.5" x 80.75"	WOOD	+55.0	-55.0
		FIBERGLASS/COMP	+55.0	-55.0



Documents Prepared By:  
Lyndon F. Schmidt  
P.E. No. 43409

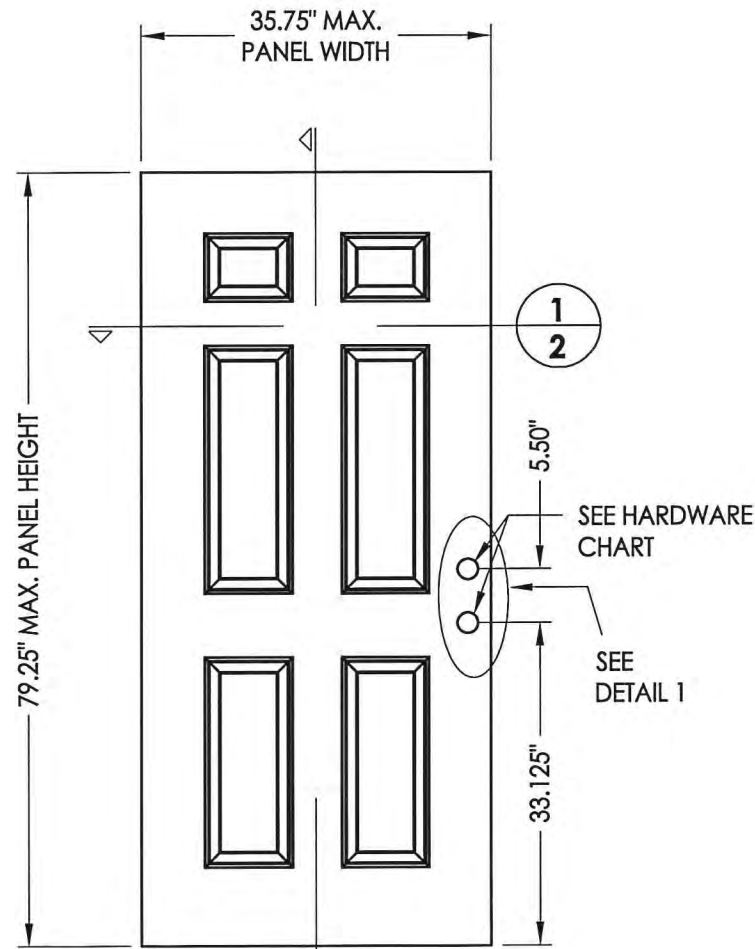
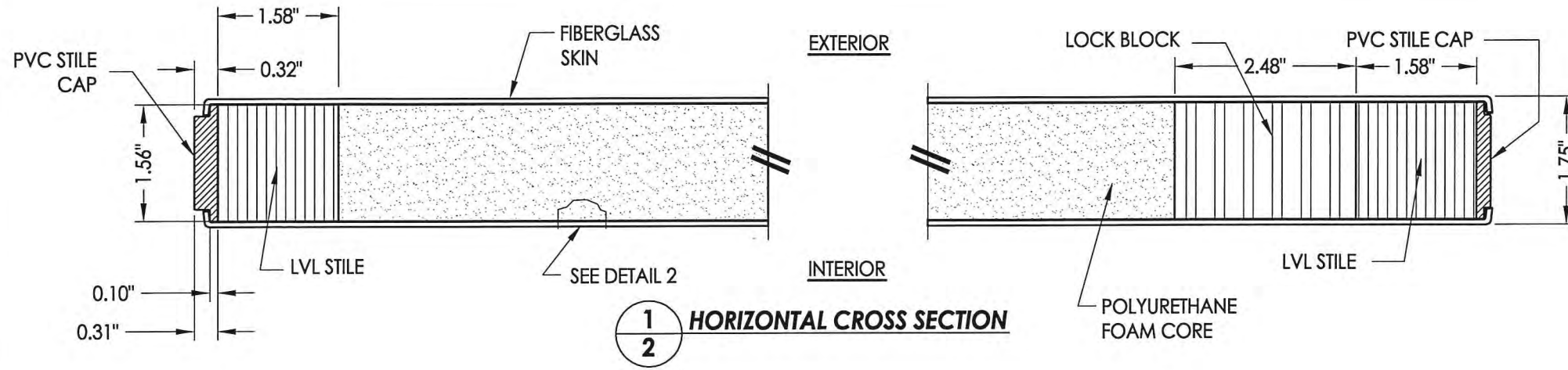
**PROFESSIONAL ENGINEER**  
BUILDING CONSULTANTS, INC.  
P.O. Box 230, Valrico, FL 33595  
Phone No.: 813.659.9197  
FBPE C.A. No. 9813

PRODUCT: TRINITY GLASS INT'L  
PART OR ASSEMBLY:  
TYPICAL ELEVATION, DESIGN PRESSURES & GENERAL NOTES

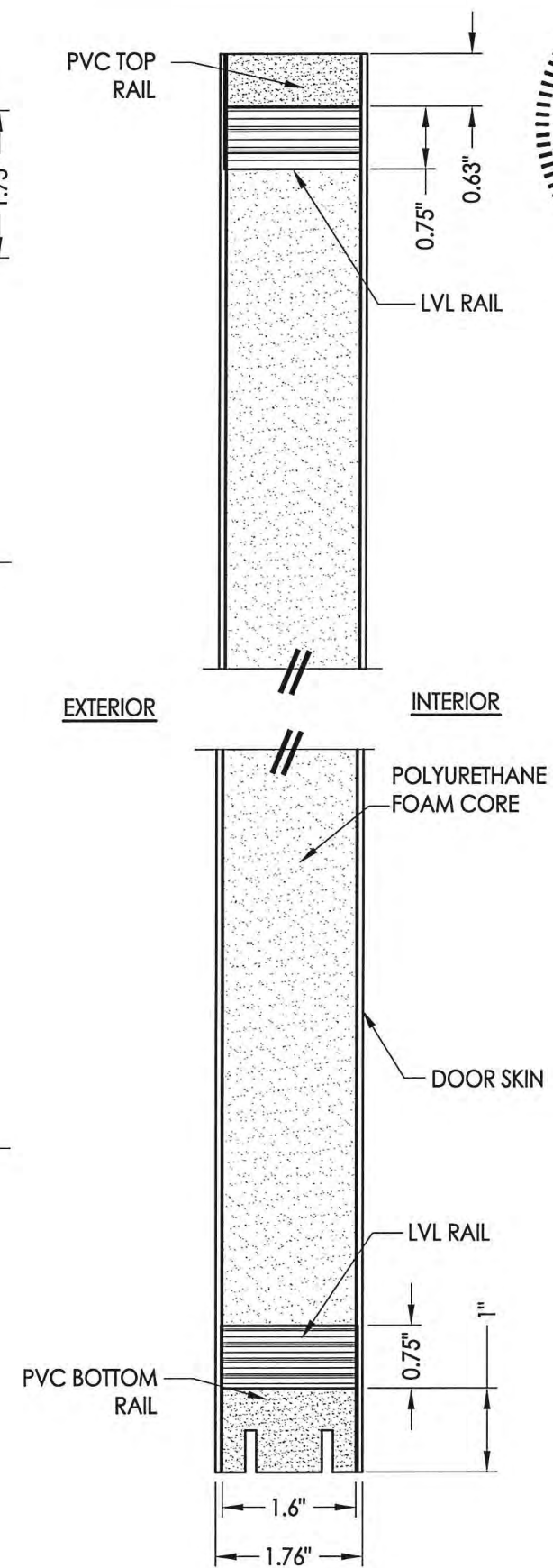
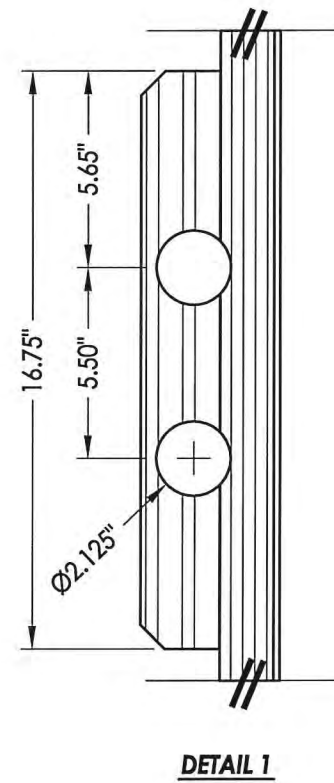
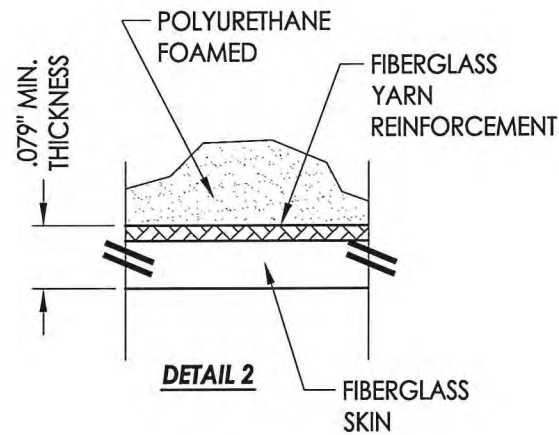
NO.	DATE	REVISIONS
1	03/02/15	UPDATE TO 5TH ED. (2014) FBC

DATE: 02/27/12  
SCALE: N.T.S.  
DWG. BY: JK  
CHK. BY: LFS  
DRAWING NO.: FL-15255.3  
SHEET 1 of 16

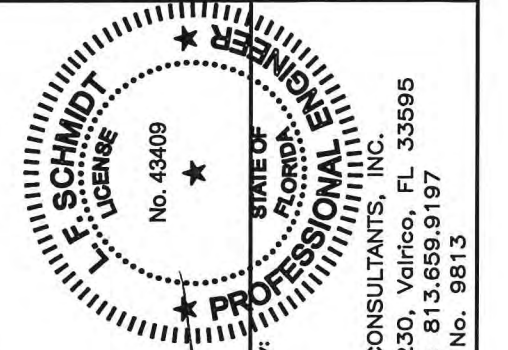




DOOR SKIN: 0.079\"/>



HARDWARE CHART	
MANUFACTURER	MODEL
KWIKSET	KNOB: SIGNATURE SERIES DEADBOLT: SIGNATURE SERIES (980)

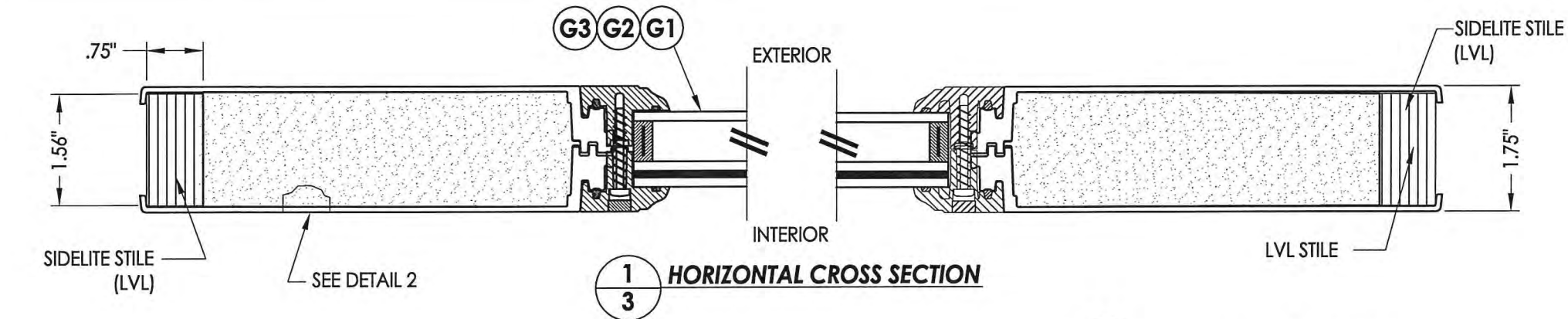


Documents Prepared By:  
Lyndon F. Schmidt  
P.E. No. 43409

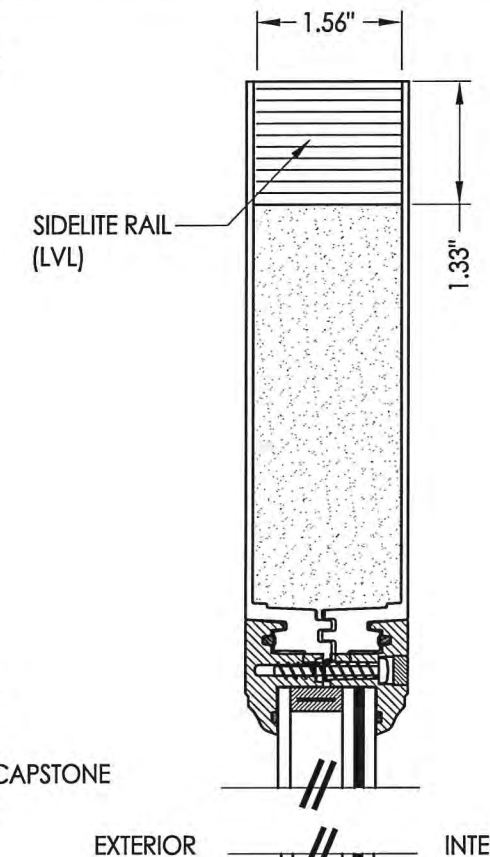
*RW* BUILDING CONSULTANTS, INC.  
P.O. Box 230, Valrico, FL 33595  
Phone No.: 813.659.9197  
FBPE C.A. No. 9813

PRODUCT:	TRINITY GLASS INT'L	
PART OR ASSEMBLY:	DOOR PANEL DETAILS	
NO.	DATE	BY
1	03/02/15	JK
UPDATE TO 5TH ED. (2014) FBC		
REVISIONS		
DATE:	02/27/12	
SCALE:	N.T.S.	
DWG. BY:	JK	
CHK. BY:	LFS	
DRAWING NO.:	FL-15255.3	
SHEET	2 of 16	

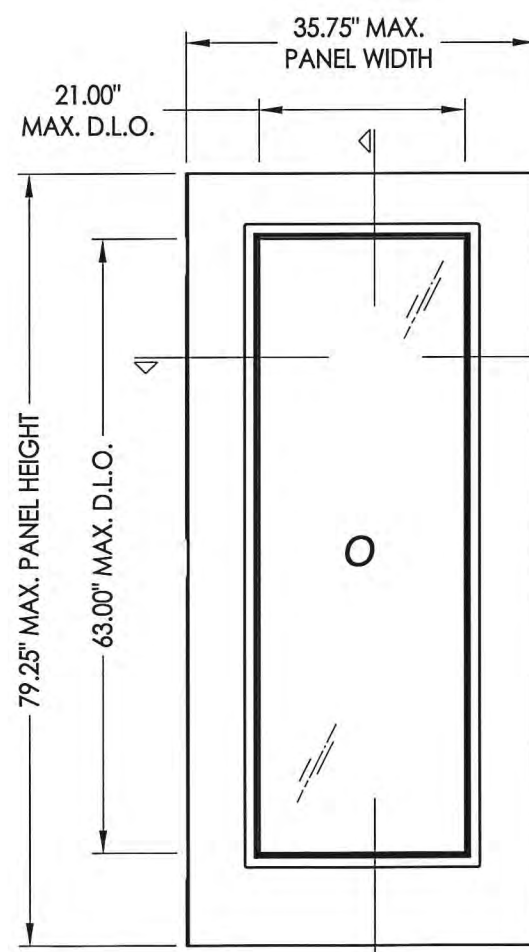
R:\Clients\Trinity PERMANENT\Florida Product Approvals\FL-15255C - Drawings\FL-15255.1-4.dwg, 3.3



**1**  
**3** **HORIZONTAL CROSS SECTION**

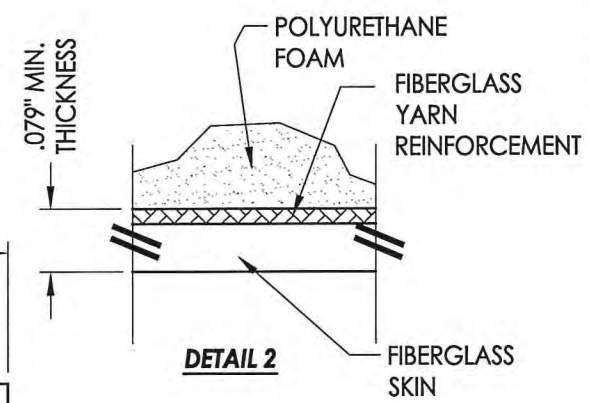


**2**  
**3** **VERTICAL CROSS SECTION**

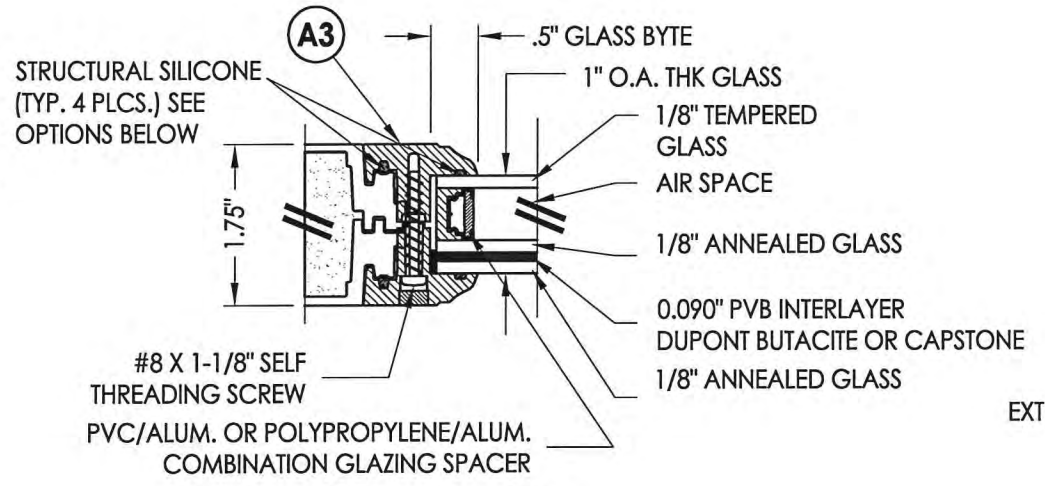


**2**  
**3** **60 SIDELITE**

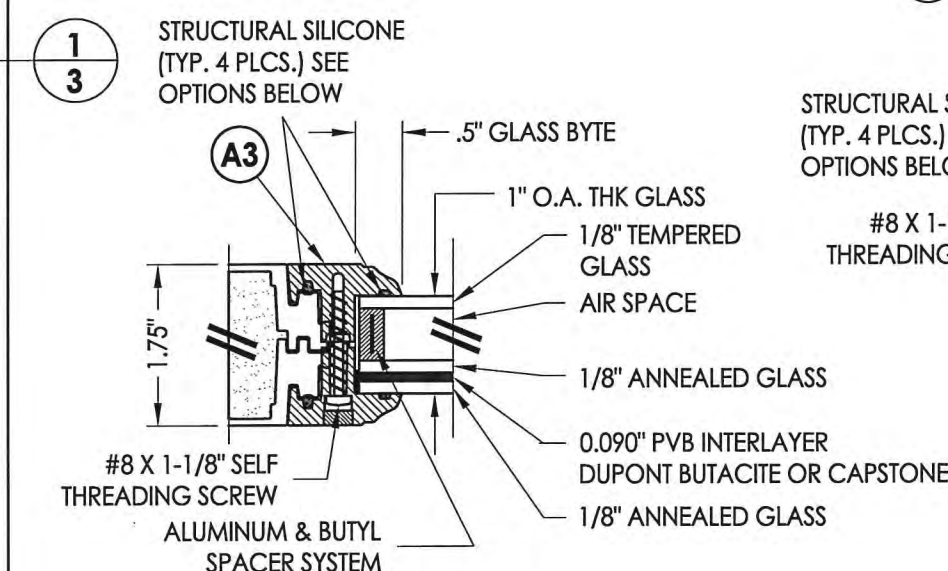
DOOR SKIN: 0.079" MIN. THK. FIBERGLASS  
CORE MATERIAL: POLYURETHANE FOAM



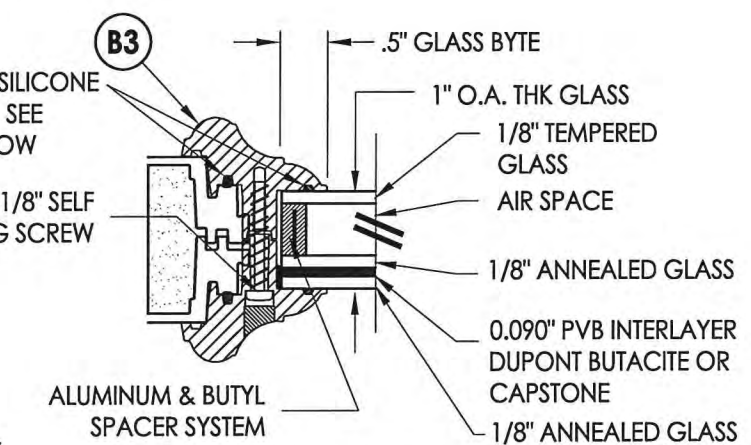
**DETAIL 2**



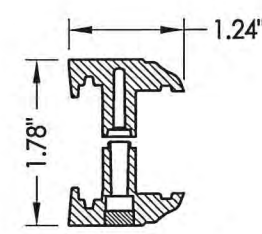
**G2** **GLAZING DETAIL**



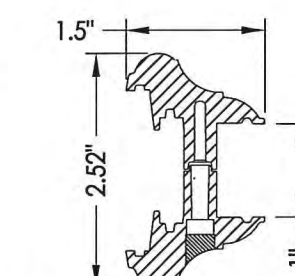
**G1** **GLAZING DETAIL**



**G3** **GLAZING DETAIL**

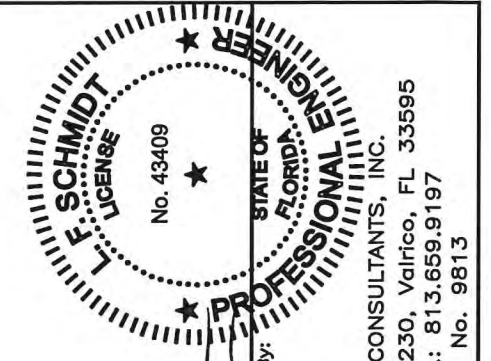


**A3** **FLUSH GLAZED FRAME**  
ABS or PC/ASA



**B3** **MAHOGANY LITE FRAME**  
ABS or PC/ASA

STRUCTURAL SILICONE OPTIONS:  
SILICONE BY CAPSTONE (4PL)  
DOW 995 STRUCTURAL SILICONE  
SILICONE BY DONGYANG SILICONE CO.



Documents Prepared By:  
Lyndon F. Schmidt  
P.E. No. 43409

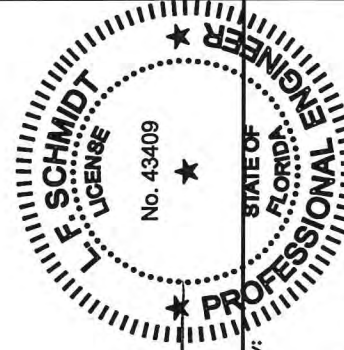
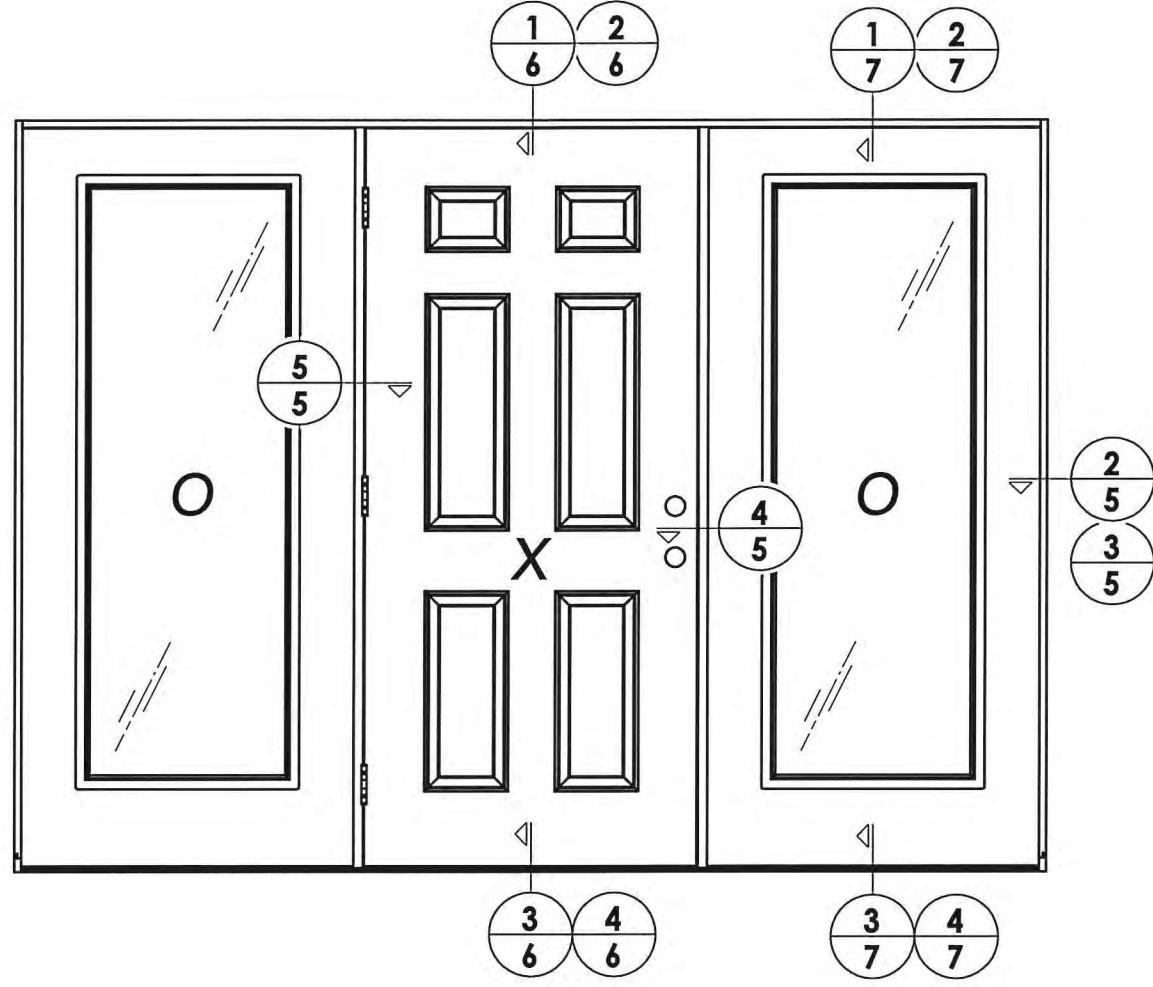
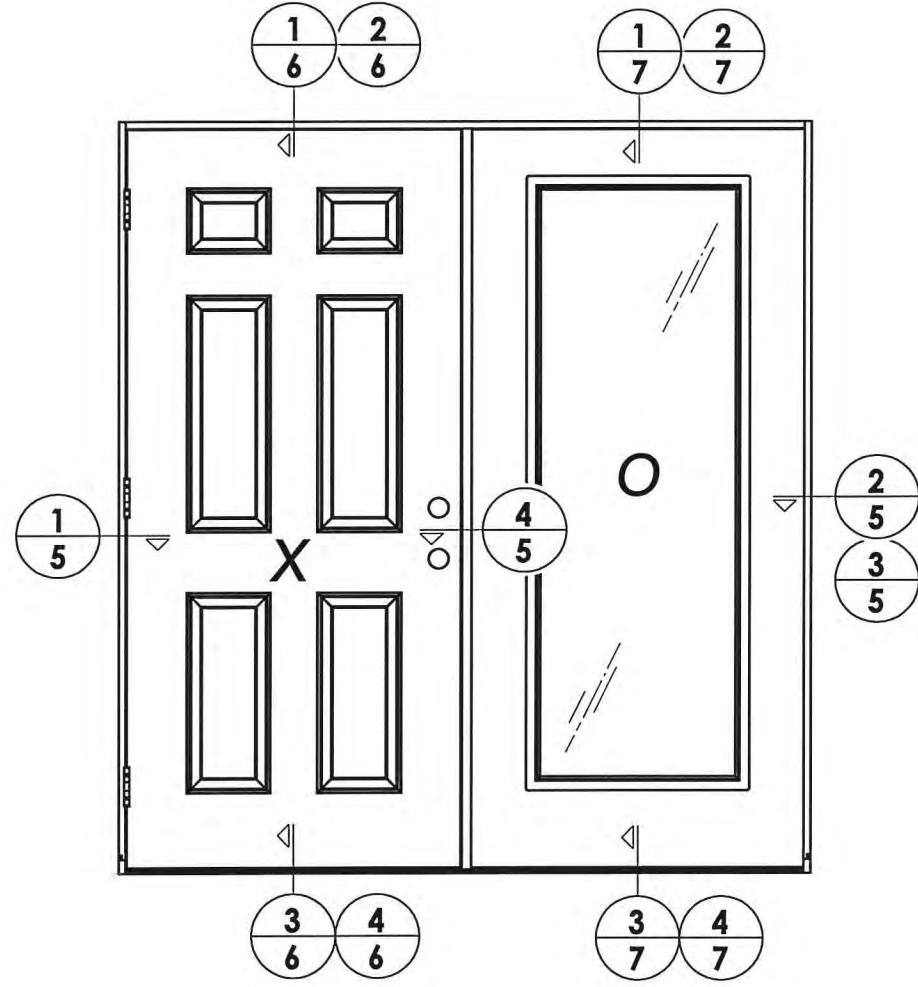
**RW**  
BUILDING CONSULTANTS, INC.  
P.O. Box 230, Valrico, FL 33595  
Phone No.: 813.659.9197  
FBPE C.A. No. 9813

PRODUCT:	TRINITY GLASS INT'L
PART OR ASSEMBLY:	SIDELITE PANEL DETAILS AND GLAZING DETAILS

NO.	DATE	BY	REVISIONS
1	03/02/15	JK	UPDATE TO 5TH ED. (2014)

DATE:	02/27/12
SCALE:	N.T.S.
DWG. BY:	JK
CHK. BY:	LFS
DRAWING NO.:	FL-15255.3
SHEET	3 OF 16

© 2012 R.W. BUILDING CONSULTANTS INC.



*LFS*  
*5-1-15*

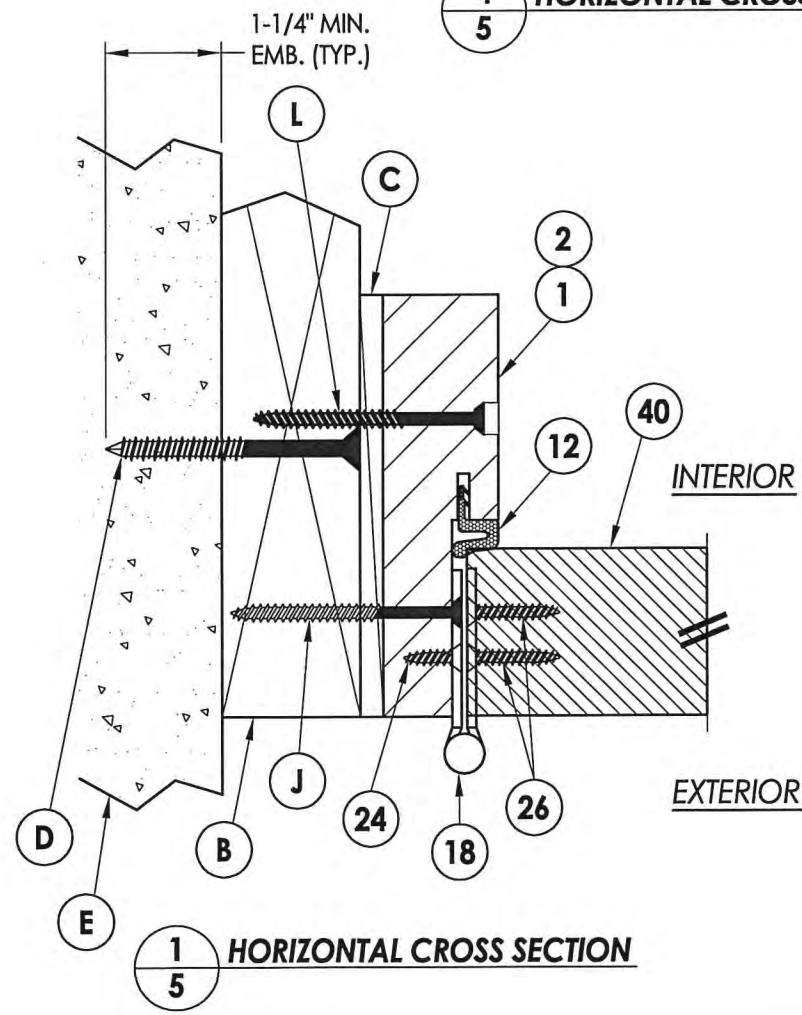
Documents Prepared By:  
Lyndon F. Schmidt  
P.E. No. 43409

*RW* BUILDING CONSULTANTS, INC.  
P.O. Box 230, Valrico, FL 33595  
Phone No.: 813.659.9197  
FBPE C.A. No. 9813

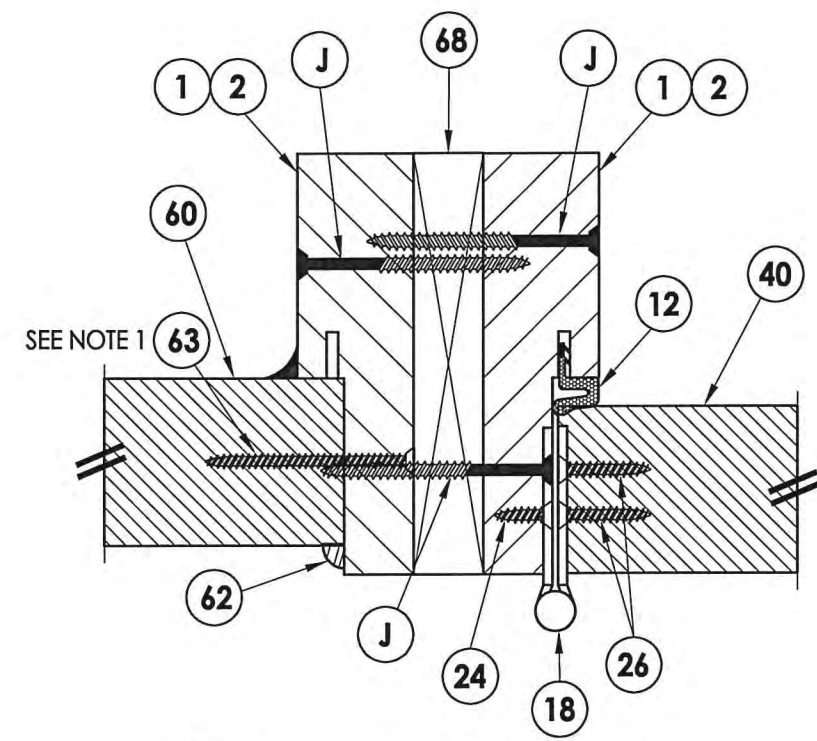
PRODUCT:		TRINITY GLASS INT'L	
PART OR ASSEMBLY:		ELEVATIONS	
NO.	DATE	JK	BY
1	03/02/15	UPDATE TO 5TH ED. (2014) FBC	
REVISIONS			
DATE: 02/27/12			
SCALE: N.T.S.			
DWG. BY: JK			
CHK. BY: LFS			
DRAWING NO.: FL-15255.3			
SHEET 4 of 16			



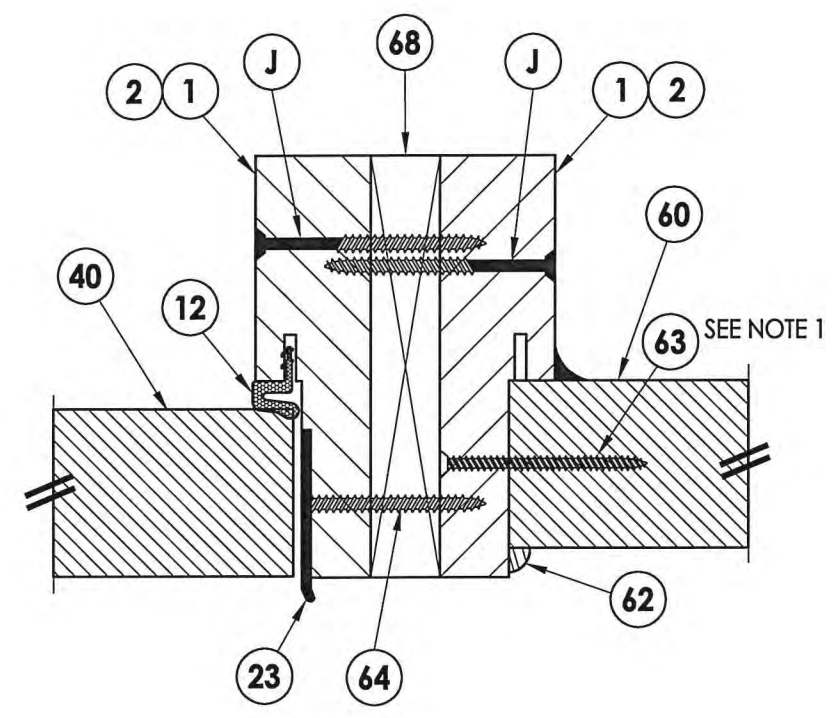
R:\Clients\Trinity PERMANENT\Florida Product Approvals\FL-15255\C - Drawings\FL-15255\FL-15255.1-4.dwg, 5.3



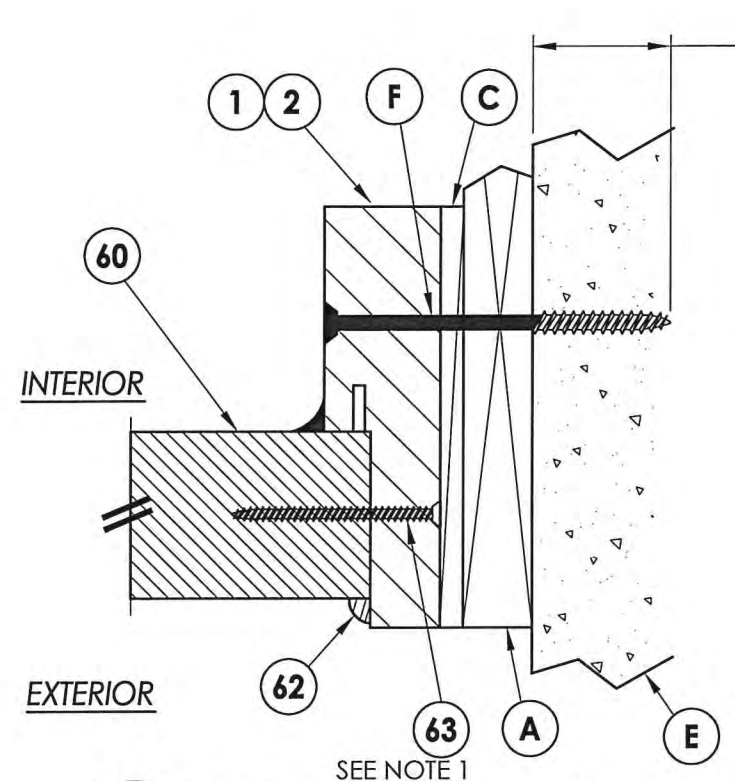
**1**  
**5** HORIZONTAL CROSS SECTION



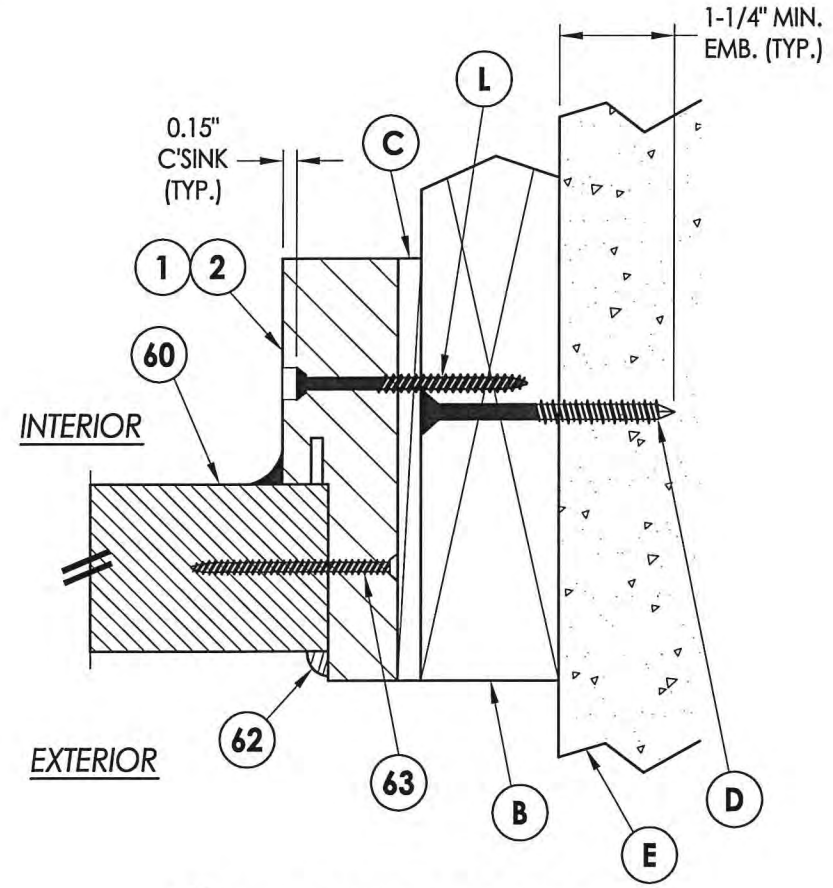
**4**  
**5** HORIZONTAL CROSS SECTION



**2**  
**5** HORIZONTAL CROSS SECTION

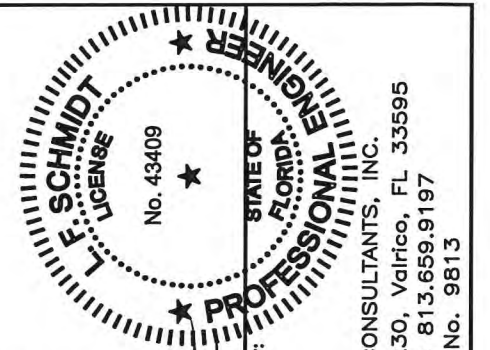


**5**  
**5** HORIZONTAL CROSS SECTION  
Shown w/1X sub-buck



**3**  
**5** HORIZONTAL CROSS SECTION

NOTE:  
1. Item #63 located 6" from each end and 3 more equally spaced (5 total).



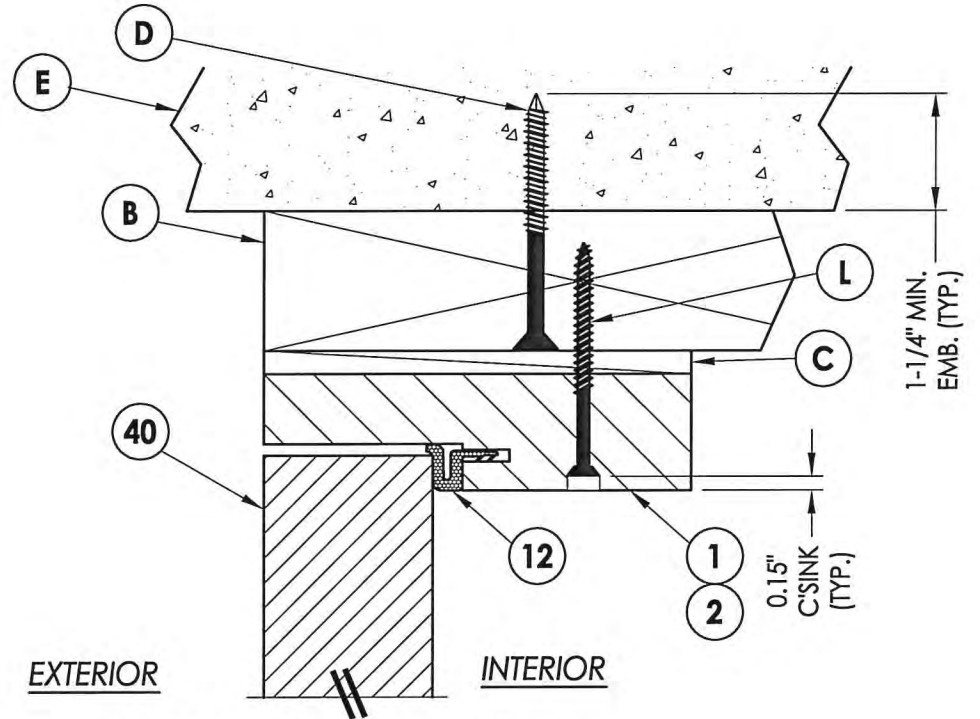
Documents Prepared By:  
Lyndon F. Schmidt  
P.E. No. 43409

R.W. BUILDING CONSULTANTS, INC.  
P.O. Box 230, Valrico, FL 33595  
Phone No.: 813.659.9197  
FBPE C.A. No. 9813

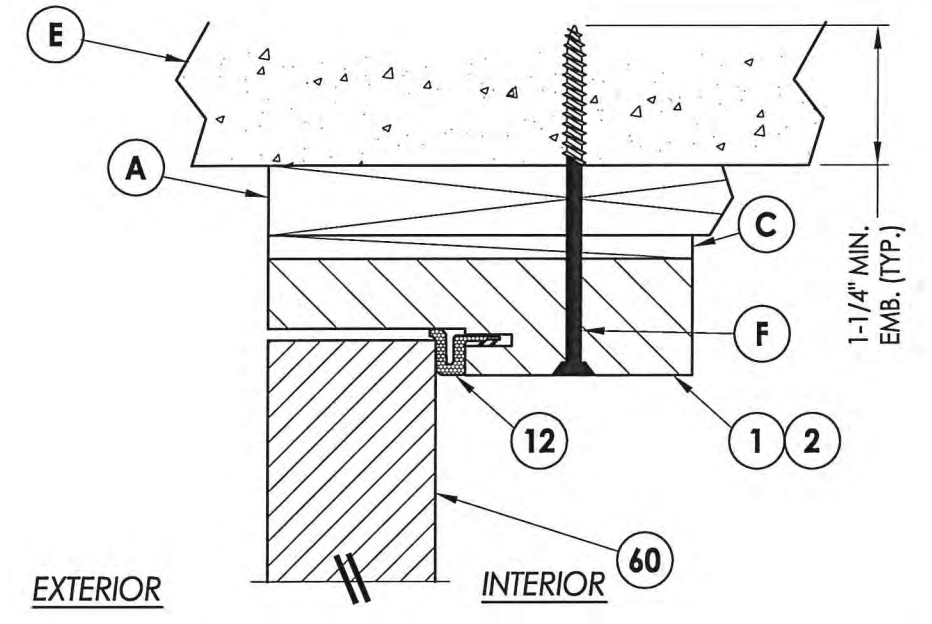
PRODUCT: TRINITY GLASS INT'L	
PART OR ASSEMBLY: HORIZONTAL CROSS SECTIONS	
NO.	DATE
1	03/02/15
UPDATE TO 5TH ED. (2014) FBC	
JK	BY
REVISIONS	
DATE: 02/27/12	
SCALE: N.T.S.	
DWG. BY: JK	
CHK. BY: LFS	
DRAWING NO.: FL-15255.3	
SHEET 5 OF 16	

© 2012 R.W. BUILDING CONSULTANTS INC.

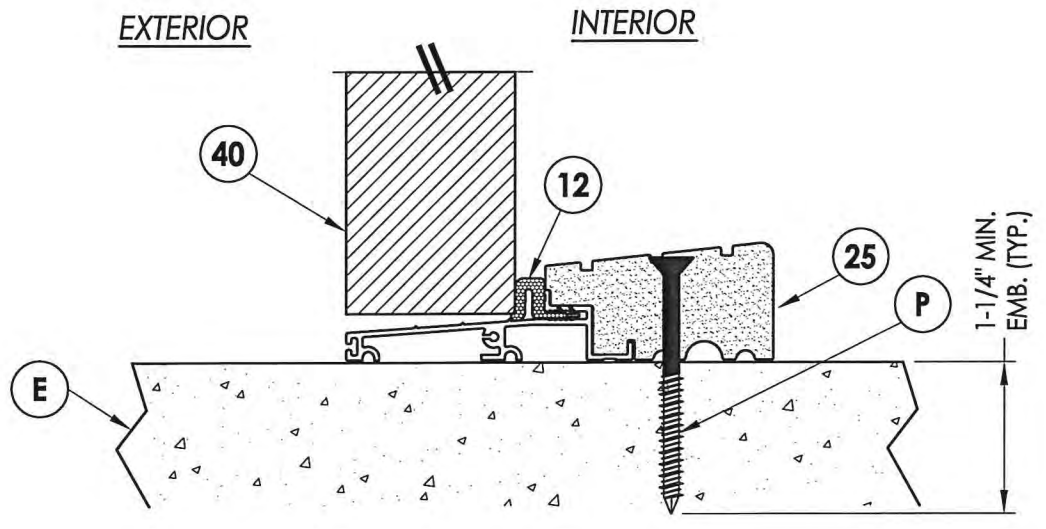
R:\Clients\Trinity PERMANENT\Florida Product Approvals\FL-15255\C - Drawings\FL-15255\FL-15255.1-4.dwg, 6.3



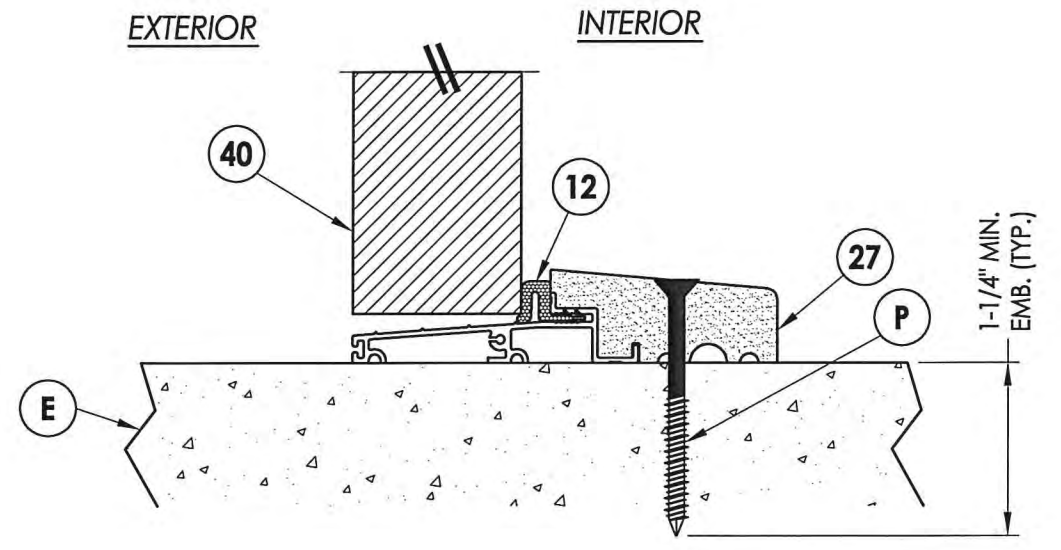
**1**  
**6** VERTICAL CROSS SECTION



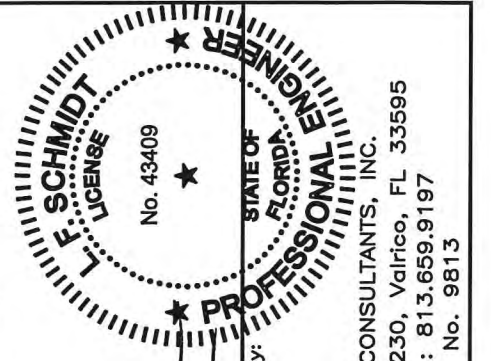
**2**  
**6** VERTICAL CROSS SECTION  
Shown w/1X sub-buck



**3**  
**6** VERTICAL CROSS SECTION



**4**  
**6** VERTICAL CROSS SECTION



Documents Prepared By:  
Lyndon F. Schmidt  
P.E. No. 43409

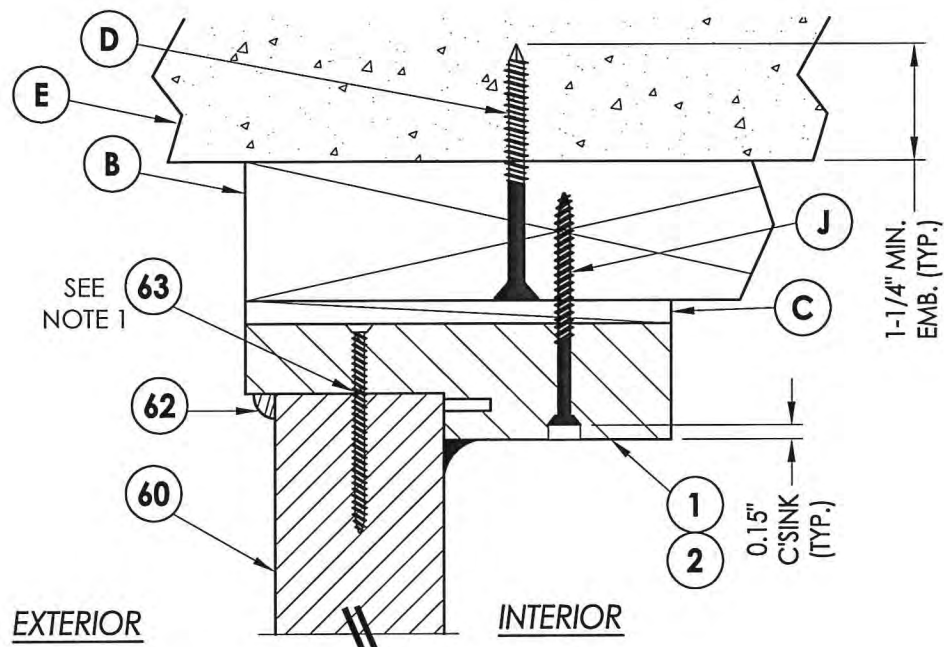
**RW** BUILDING CONSULTANTS, INC.  
P.O. Box 230, Valrico, FL 33595  
Phone No.: 813.659.9197  
FBPE C.A. No. 9813

PRODUCT:	TRINITY GLASS INT'L
PART OR ASSEMBLY:	VERTICAL CROSS SECTIONS

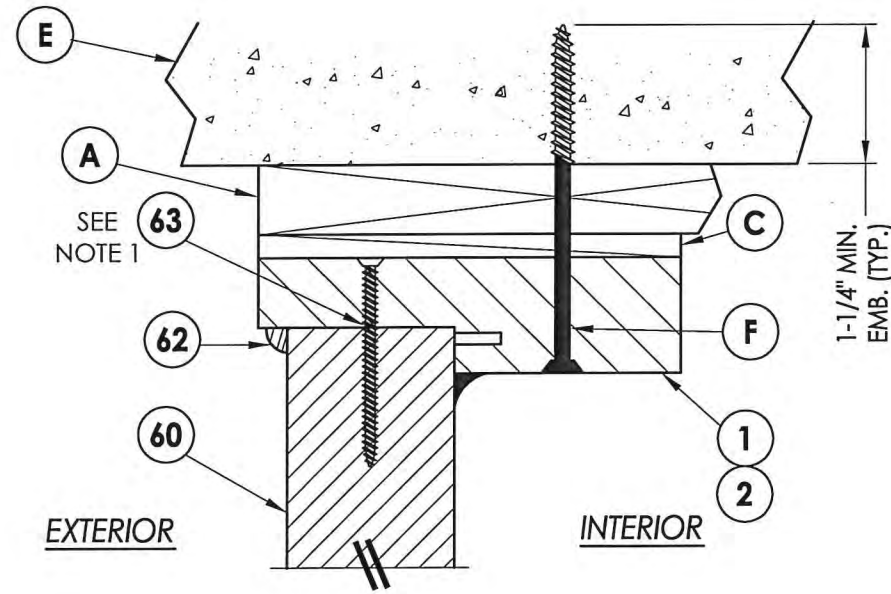
NO.	DATE	BY
1	03/02/15	JK
UPDATE TO 5TH ED. (2014) FBC		

DATE:	02/27/12
SCALE:	N.T.S.
DWG. BY:	JK
CHK. BY:	LFS
DRAWING NO.:	FL-15255.3
SHEET	6 OF 16

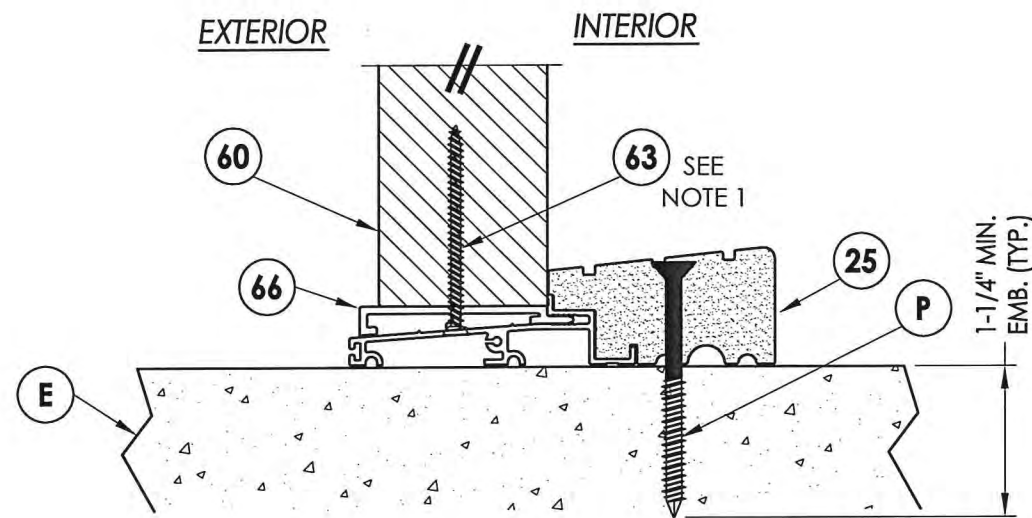
R:\Clients\Trinity PERMANENT\Florida Product Approvals\FL-15255C - Drawings\FL-15255\FL-15255.1-4.dwg, 7/3



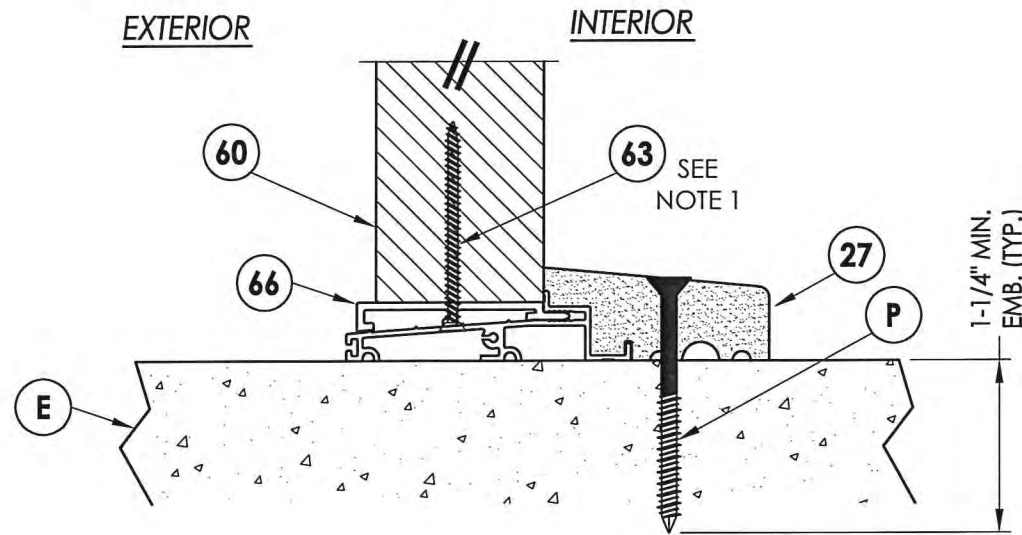
**1**  
**7** VERTICAL CROSS SECTION



**2**  
**7** VERTICAL CROSS SECTION  
Shown w/1X sub-buck

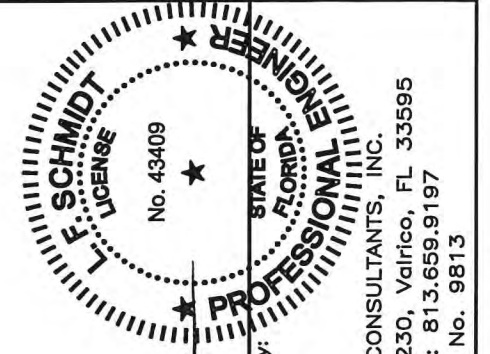


**3**  
**7** VERTICAL CROSS SECTION



**4**  
**7** VERTICAL CROSS SECTION

NOTE:  
1. Screws thru head and sill jamb located 3" from each end and on center line.

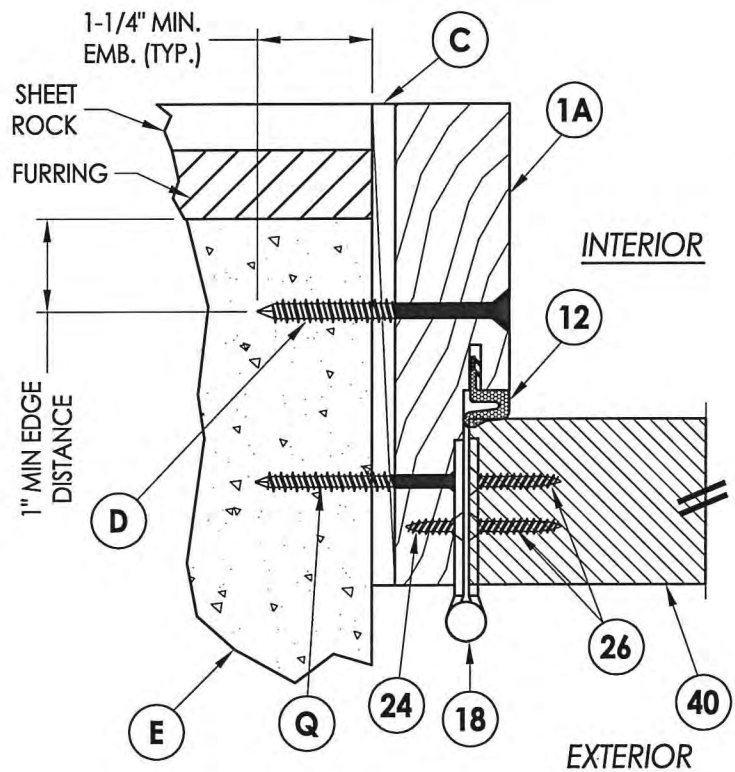
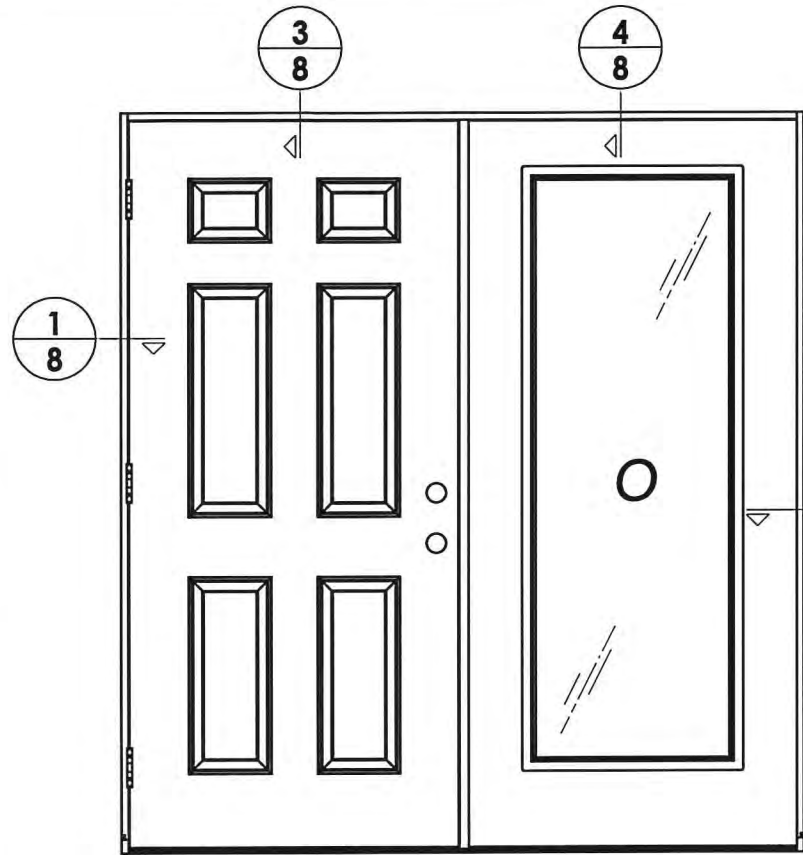


Documents Prepared By:  
Lyndon F. Schmidt  
P.E. No. 43409  
R.W. BUILDING CONSULTANTS, INC.  
P.O. Box 230, Valrico, FL 33595  
Phone No.: 813.659.9197  
FBPE C.A. No. 9813

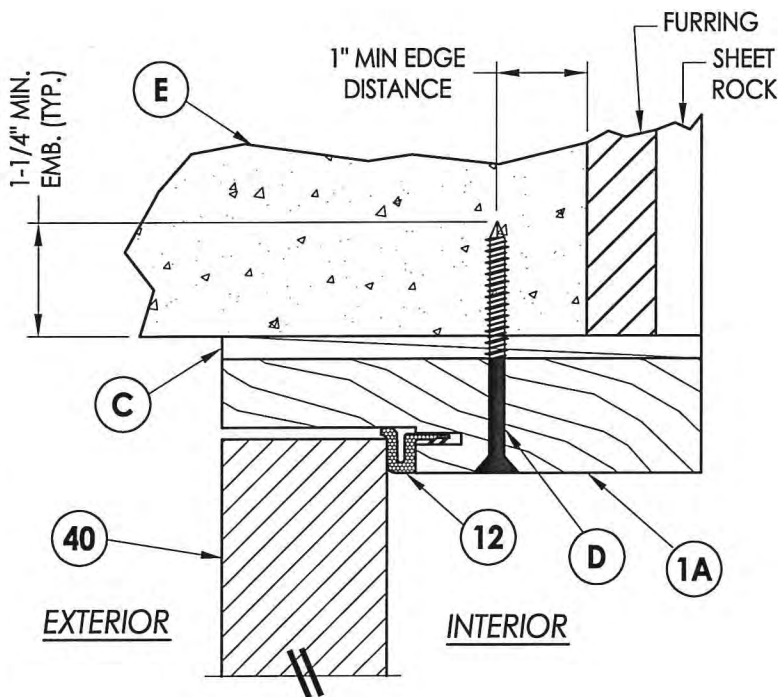
PRODUCT:	TRINITY GLASS INT'L	
PART OR ASSEMBLY:	VERTICAL CROSS SECTIONS	
NO.	DATE	BY
1	03/02/15	JK
UPDATE TO 5TH ED. (2014) FBC		
REVISIONS		

DATE: 02/27/12  
SCALE: N.T.S.  
DWG. BY: JK  
CHK. BY: LFS  
DRAWING NO.: FL-15255.3  
SHEET 7 OF 16

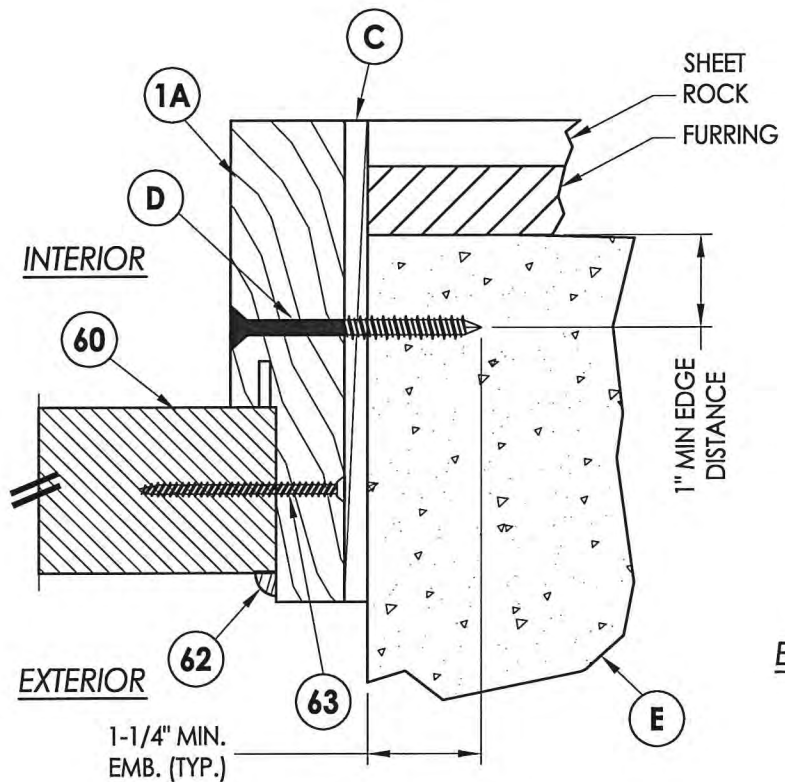
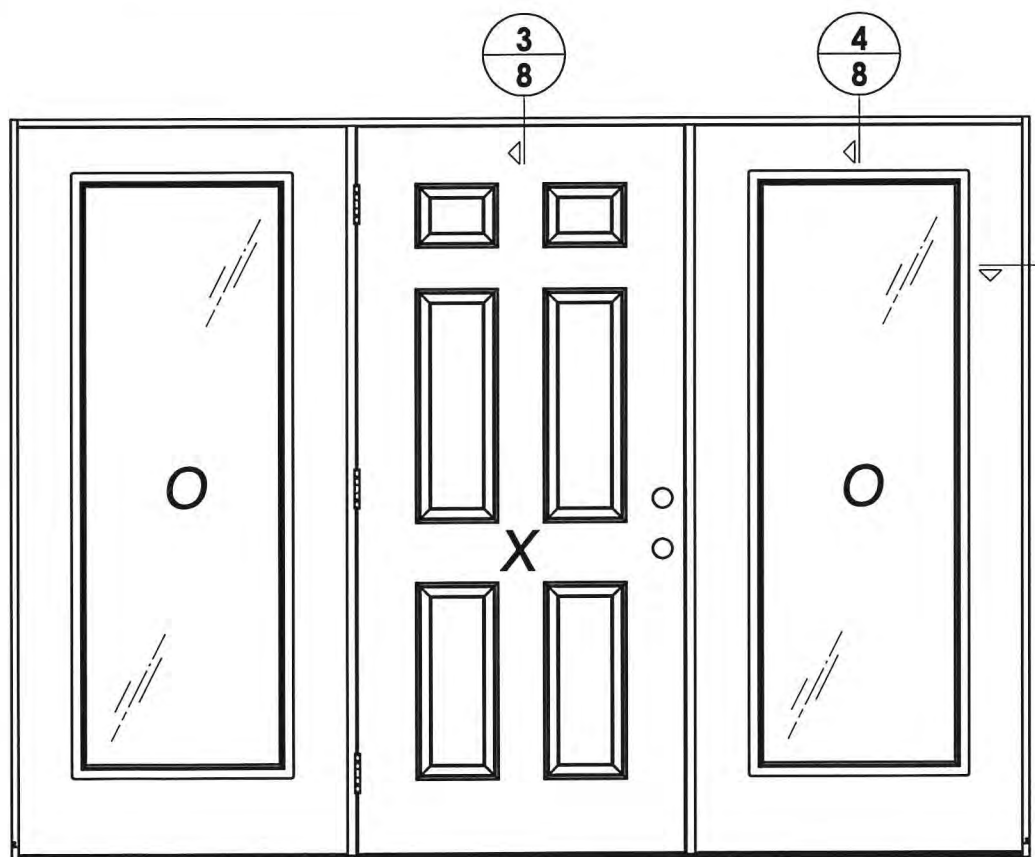




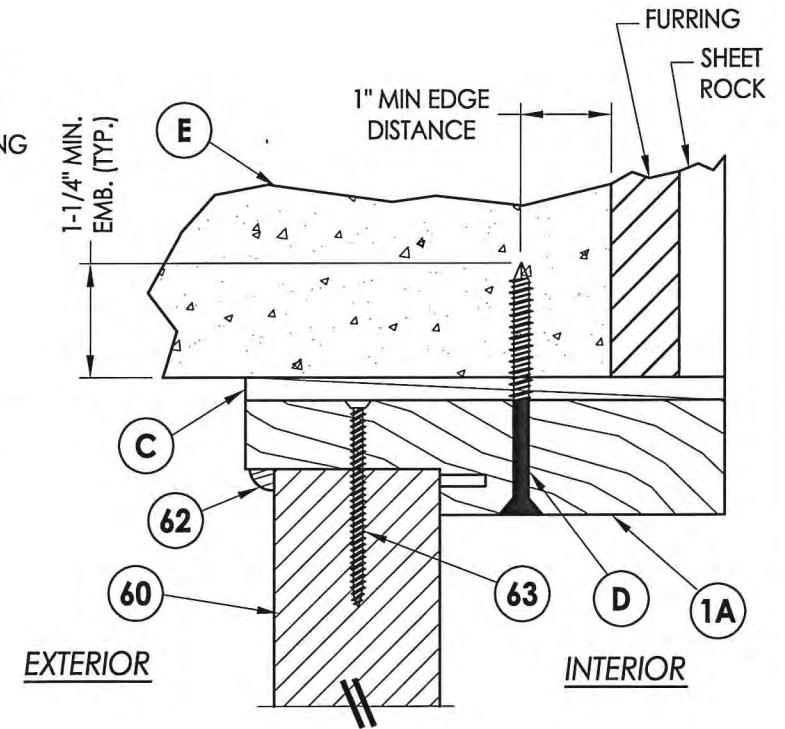
**1**  
**8** **HORIZONTAL CROSS SECTION**  
Direct to masonry  
(5-1/4" jamb)



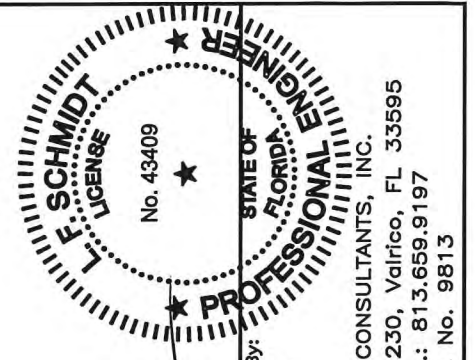
**3**  
**8** **VERTICAL CROSS SECTION**  
Direct to masonry  
(5-1/4" jamb)



**2**  
**8** **HORIZONTAL CROSS SECTION**  
Direct to masonry  
(5-1/4" jamb)



**4**  
**8** **VERTICAL CROSS SECTION**  
Direct to masonry  
(5-1/4" jamb)



Documents Prepared By:  
Lyndon F. Schmidt  
P.E. No. 43409

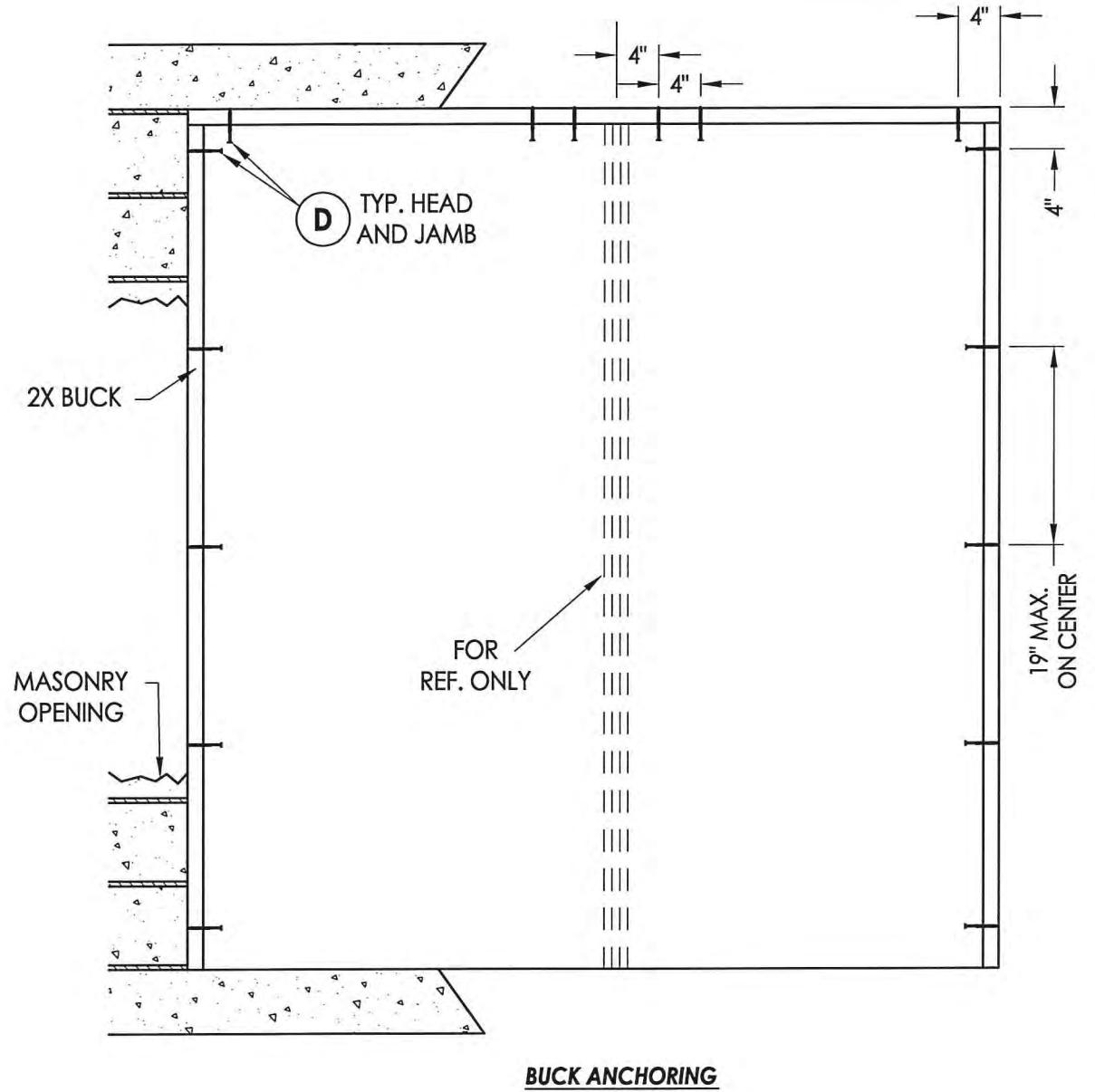
RW  
BUILDING CONSULTANTS, INC.  
P.O. Box 230, Valrico, FL 33595  
Phone No.: 813.659.9197  
FBPE C.A. No. 9813

PRODUCT: TRINITY GLASS INT'L  
PART OR ASSEMBLY: HORIZONTAL & VERTICAL CROSS SECTIONS

NO.	DATE	BY
1	03/02/15	JK
UPDATE TO 5TH ED. (2014) FBC		
REVISIONS		

DATE: 02/27/12  
SCALE: N.T.S.  
DWG. BY: JK  
CHK. BY: LFS  
DRAWING NO.: FL-15255.3  
SHEET 8 OF 16

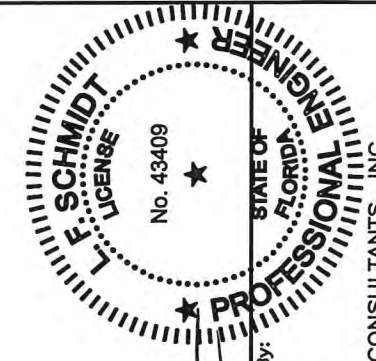




**CONCRETE ANCHOR NOTES:**

1. Concrete anchor locations at the corners may be adjusted to maintain the min. edge distance to mortar joints.
2. Concrete anchor locations noted as "MAX. ON CENTER" must be adjusted to maintain the min. edge distance to mortar joints, additional concrete anchors may be required to ensure the "MAX. ON CENTER" dimension are not exceeded.
3. Concrete anchor table:

ANCHOR TYPE	ANCHOR SIZE	MIN. EMBEDMENT	MIN. CLEARANCE TO MASONRY EDGE	MIN. CLEARANCE TO ADJACENT ANCHOR
ITW TAPCON®	1/4"	1-1/4"	2"	4"
ELCO ULTRACON®	1/4"	1-1/4"	1"	4"



Documents Prepared By:  
 Lyndon F. Schmidt  
 P.E. No. 43409

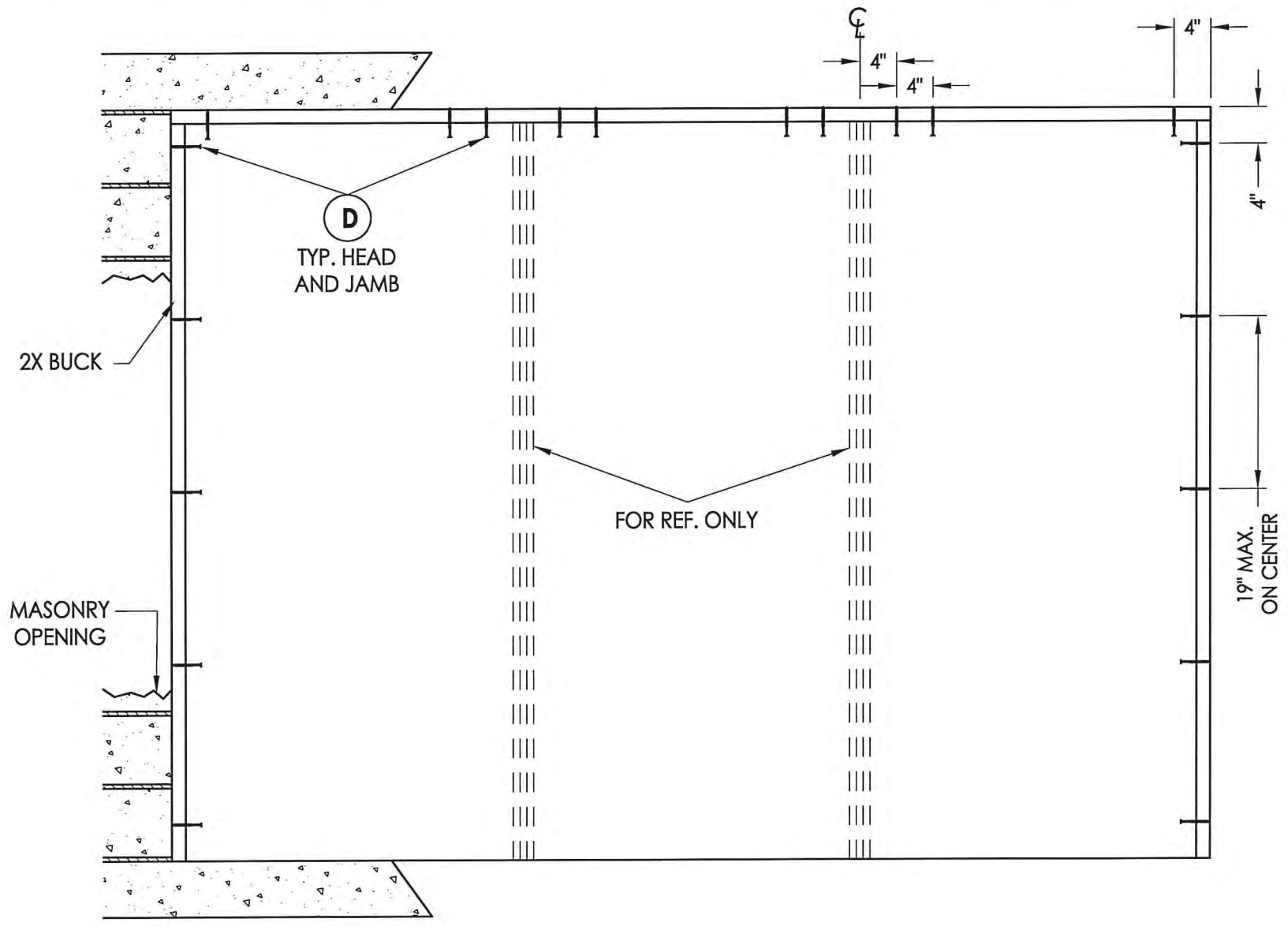
**R.W.** BUILDING CONSULTANTS, INC.  
 P.O. Box 230, Vairico, FL 33595  
 Phone No.: 813.659.9197  
 FBPE C.A. No. 9813

PRODUCT: TRINITY GLASS INT'L  
 PART OR ASSEMBLY: BUCK ANCHORING

NO.	DATE	REVISIONS
1	03/02/15	UPDATE TO 5TH ED. (2014) FBC

DATE: 02/27/12  
 SCALE: N.T.S.  
 DWG. BY: JK  
 CHK. BY: LFS  
 DRAWING NO.: FL-15255.3  
 SHEET 9 OF 16

R:\Clients\Trinity PERMANENT\Florida Product Approvals\FL-15255\C - Drawings\FL-15255\FL-15255.1-4.dwg, 10.3

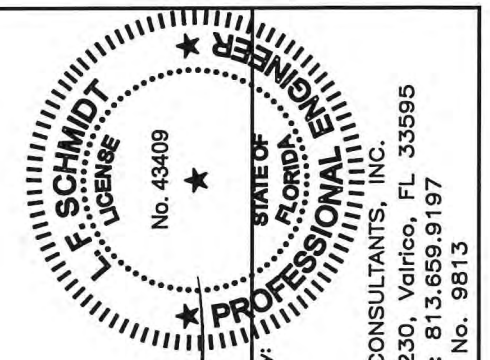


**BUCK ANCHORING**

**CONCRETE ANCHOR NOTES:**

1. Concrete anchor locations at the corners may be adjusted to maintain the min. edge distance to mortar joints.
2. Concrete anchor locations noted as "MAX. ON CENTER" must be adjusted to maintain the min. edge distance to mortar joints, additional concrete anchors may be required to ensure the "MAX. ON CENTER" dimension are not exceeded.
3. Concrete anchor table:

ANCHOR TYPE	ANCHOR SIZE	MIN. EMBEDMENT	MIN. CLEARANCE TO MASONRY EDGE	MIN. CLEARANCE TO ADJACENT ANCHOR
ITW TAPCON®	1/4"	1-1/4"	2"	4"
ELCO ULTRACON®	1/4"	1-1/4"	1"	4"



Documents Prepared By:  
 Lyndon F. Schmidt  
 P.E. No. 43409

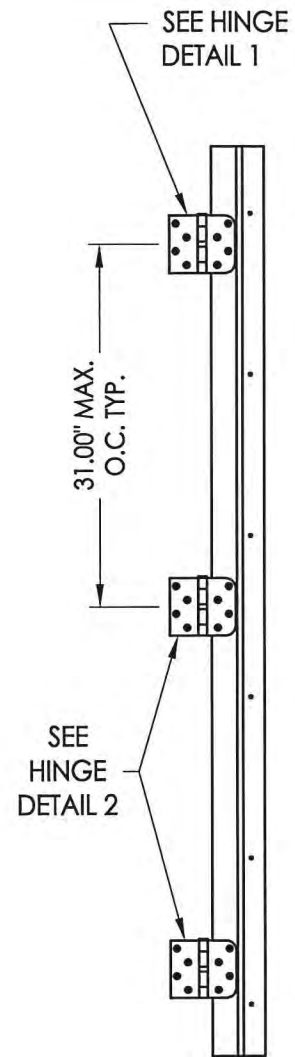
*LFS*  
 5/15

*RW*  
 BUILDING CONSULTANTS, INC.  
 P.O. Box 230, Valrico, FL 33595  
 Phone No.: 813.659.9197  
 FBPE C.A. No. 9813

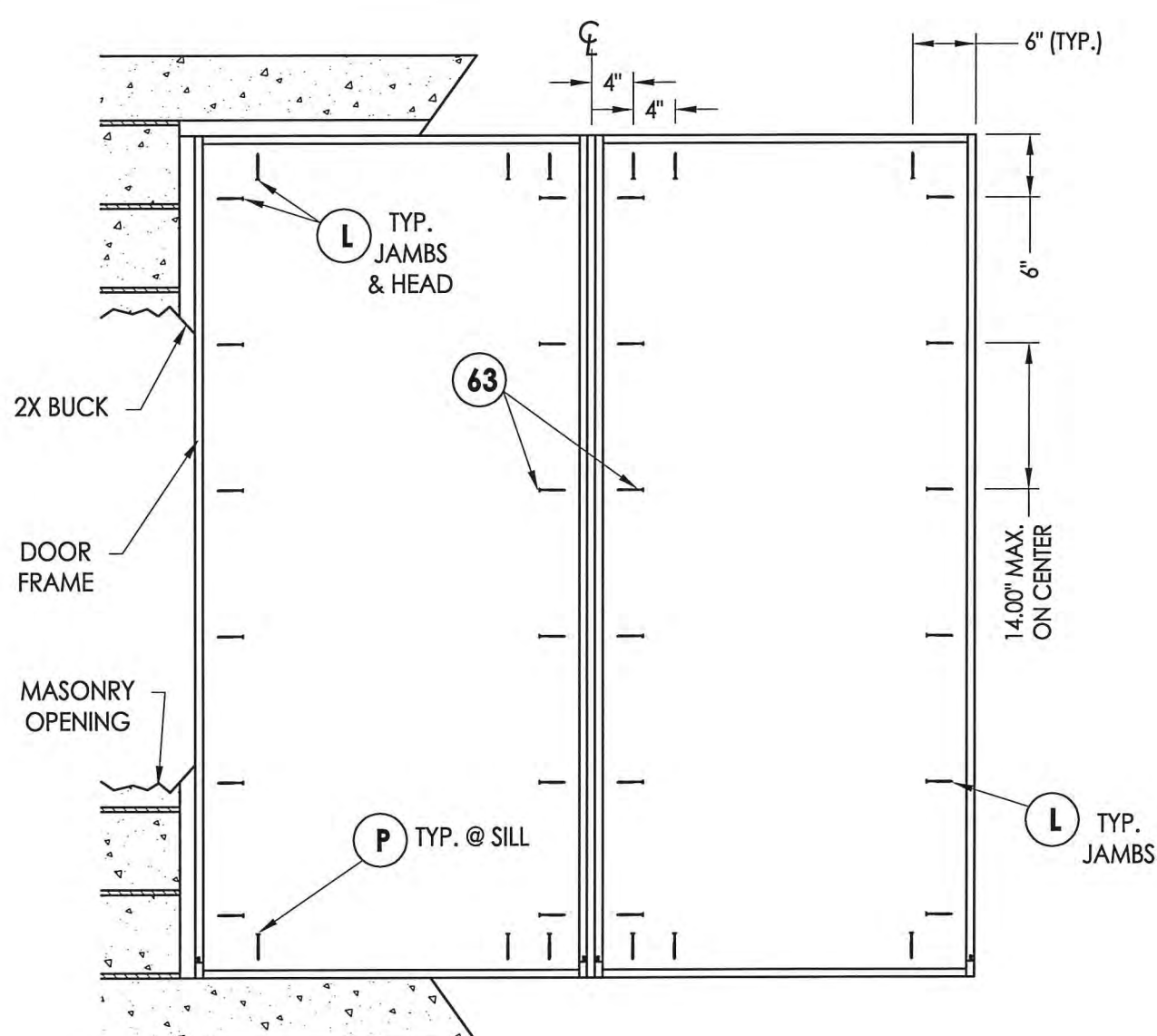
PRODUCT:	TRINITY GLASS INT'L
PART OR ASSEMBLY:	BUCK ANCHORING
NO.	1
DATE	03/02/15
UPDATE TO	5TH ED. (2014) FBC
BY	JK
REVISIONS	

DATE: 02/27/12  
 SCALE: N.T.S.  
 DWG. BY: JK  
 CHK. BY: LFS  
 DRAWING NO.: FL-15255.3  
 SHEET 10 OF 16

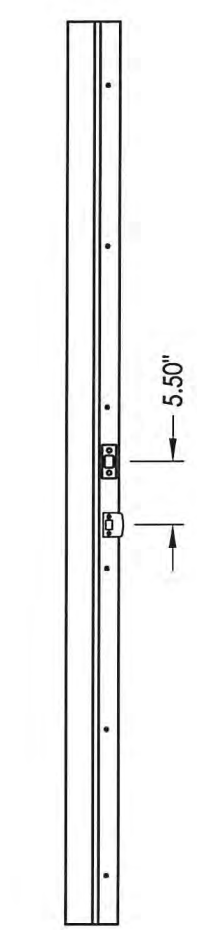




**HINGE JAMB**



**FRAME ANCHORING**  
Masonry 2X buck construction



**STRIKE JAMB**

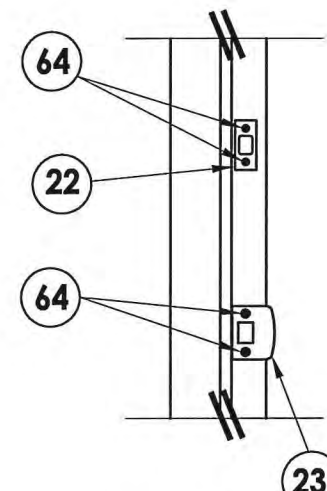
**CONCRETE ANCHOR NOTES:**

1. Concrete anchor locations at the corners may be adjusted to maintain the min. edge distance to mortar joints.
2. Concrete anchor locations noted as "MAX. ON CENTER" must be adjusted to maintain the min. edge distance to mortar joints, additional concrete anchors may be required to ensure the "MAX. ON CENTER" dimension are not exceeded.
3. Concrete anchor table:

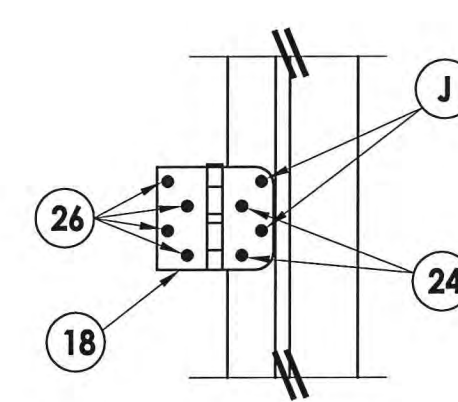
ANCHOR TYPE	ANCHOR SIZE	MIN. EMBEDMENT	MIN. CLEARANCE TO MASONRY EDGE	MIN. CLEARANCE TO ADJACENT ANCHOR
ITW TAPCON®	1/4"	1-1/4"	2"	4"
ELCO ULTRACON®	1/4"	1-1/4"	1"	4"

**WOOD SCREW INSTALLATION NOTES:**

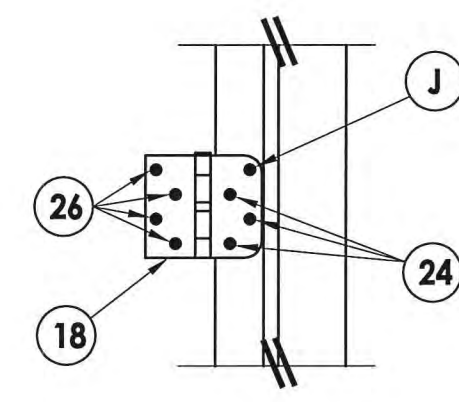
1. Maintain a minimum 5/8" edge distance, 1" end distance, & 1" o.c. spacing of wood screws to prevent the splitting of wood.



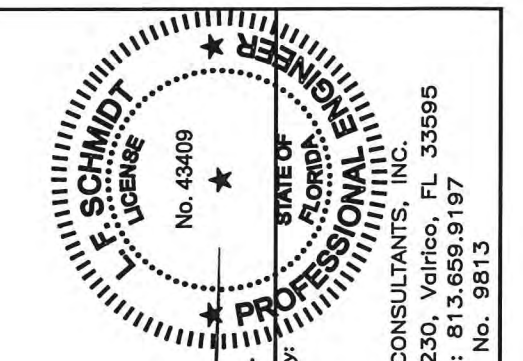
**STRIKE PLATE DETAIL**



**HINGE DETAIL 1**



**HINGE DETAIL 2**



Documents Prepared By:  
Lyndon F. Schmidt  
P.E. No. 43409

**RW** BUILDING CONSULTANTS, INC.  
P.O. Box 230, Valrico, FL 33595  
Phone No.: 813.659.9197  
FBPE C.A. No. 9813

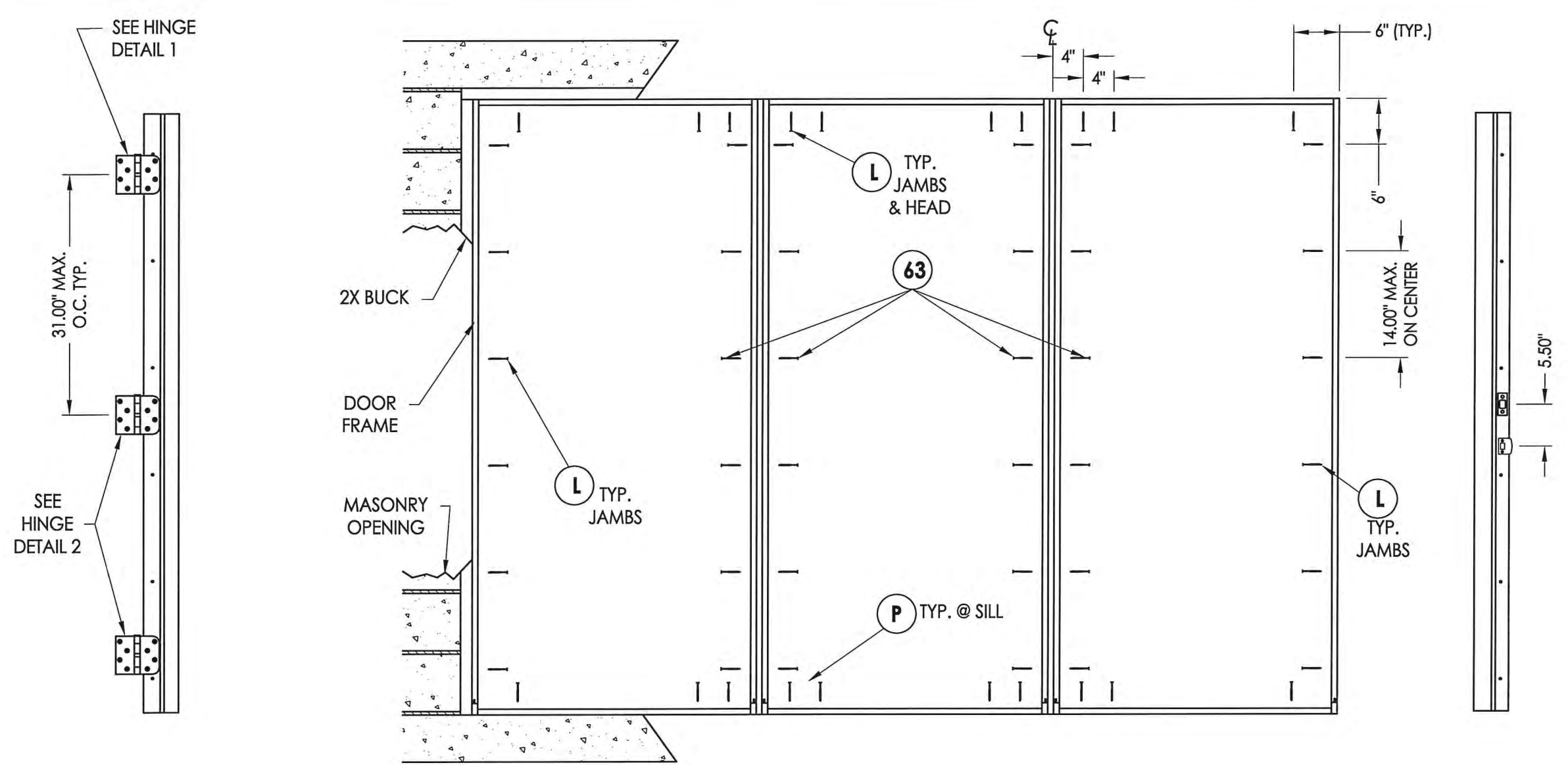
PRODUCT: TRINITY GLASS INT'L

PART OR ASSEMBLY:  
FRAME ANCHORING  
2X BUCK MASONRY CONSTRUCTION

NO.	DATE	REVISIONS
1	03/02/15	UPDATE TO 5TH ED. (2014) FBC

DATE: 02/27/12  
SCALE: N.T.S.  
DWG. BY: JK  
CHK. BY: LFS  
DRAWING NO.: FL-15255.3  
SHEET 11 OF 16

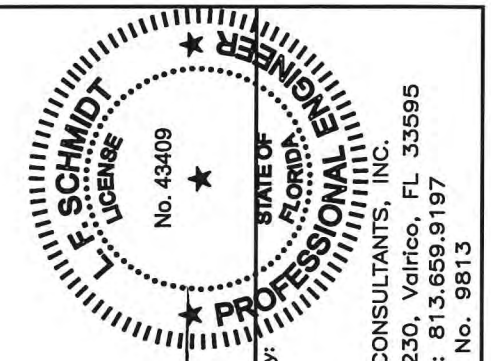
R:\Clients\Trinity PERMANENT\Florida Product Approvals\FL-15255\C - Drawings\FL-15255\FL-15255.1-4.dwg, 12.3



**HINGE JAMB**

**FRAME ANCHORING**  
Masonry 2X buck construction

**STRIKE JAMB**



Documents Prepared By:  
Lyndon F. Schmidt  
P.E. No. 43409

*RW* BUILDING CONSULTANTS, INC.  
P.O. Box 230, Vairico, FL 33595  
Phone No.: 813.659.9197  
FBPE C.A. No. 9813

PRODUCT: TRINITY GLASS INT'L

PART OR ASSEMBLY: FRAME ANCHORING  
2X BUCK MASONRY CONSTRUCTION

NO.	DATE	REVISIONS
1	03/02/15	UPDATE TO 5TH ED. (2014) FBC
		JK BY

DATE: 02/27/12  
SCALE: N.T.S.  
DWG. BY: JK  
CHK. BY: LFS  
DRAWING NO.: FL-15255.3  
SHEET 12 of 16

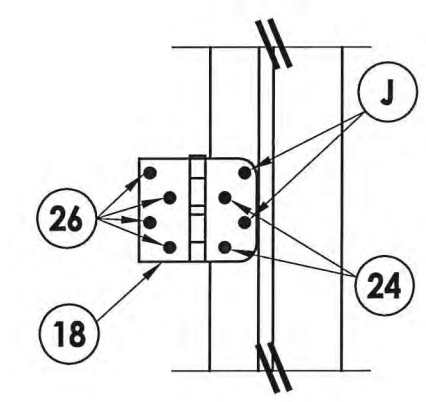
**CONCRETE ANCHOR NOTES:**

1. Concrete anchor locations at the corners may be adjusted to maintain the min. edge distance to mortar joints.
2. Concrete anchor locations noted as "MAX. ON CENTER" must be adjusted to maintain the min. edge distance to mortar joints, additional concrete anchors may be required to ensure the "MAX. ON CENTER" dimension are not exceeded.
3. Concrete anchor table:

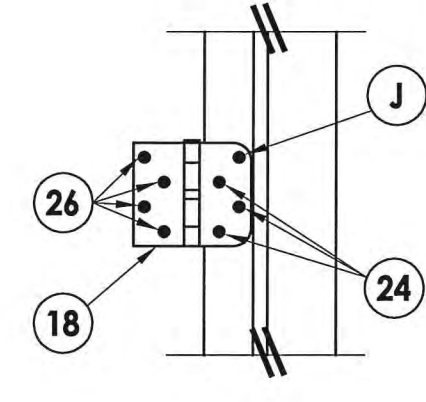
ANCHOR TYPE	ANCHOR SIZE	MIN. EMBEDMENT	MIN. CLEARANCE TO MASONRY EDGE	MIN. CLEARANCE TO ADJACENT ANCHOR
ITW TAPCON®	1/4"	1-1/4"	2"	4"
ELCO ULTRACON®	1/4"	1-1/4"	1"	4"

**WOOD SCREW INSTALLATION NOTES:**

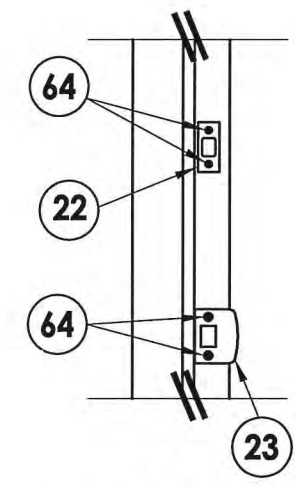
1. Maintain a minimum 5/8" edge distance, 1" end distance, & 1" o.c. spacing of wood screws to prevent the splitting of wood.



**HINGE DETAIL 1**



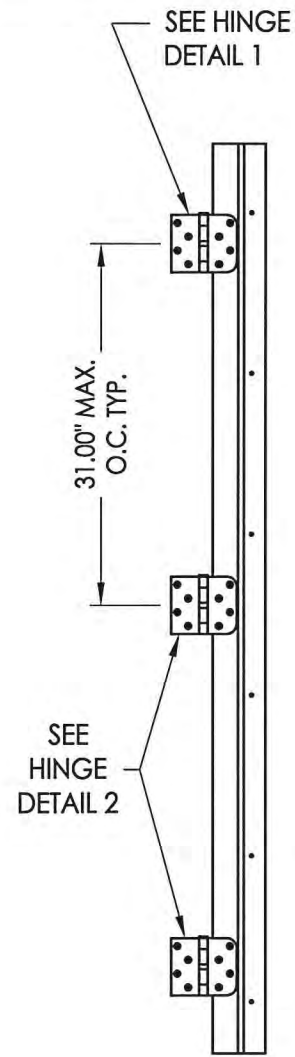
**HINGE DETAIL 2**



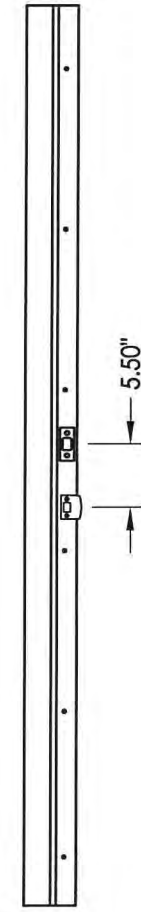
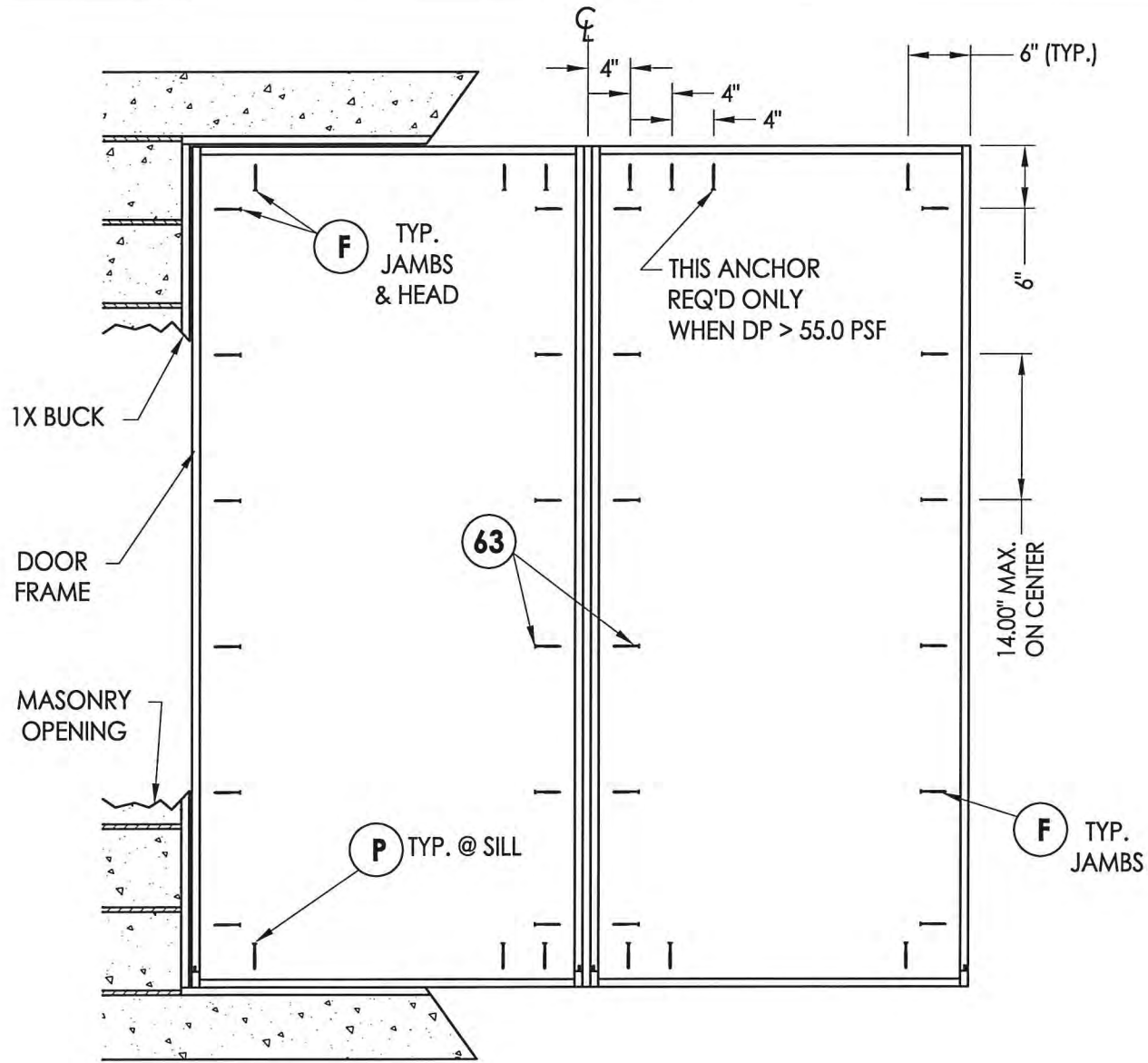
**STRIKE PLATE DETAIL**



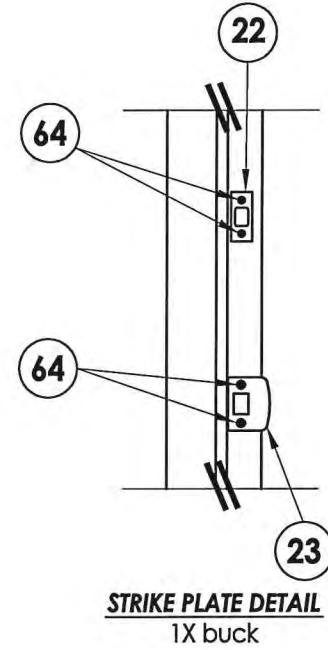
R:\Clients\Trinity PERMANENT\Florida Product Approvals\FL-15255\C - Drawings\FL-15255\FL-15255.1-4.dwg, 13.3



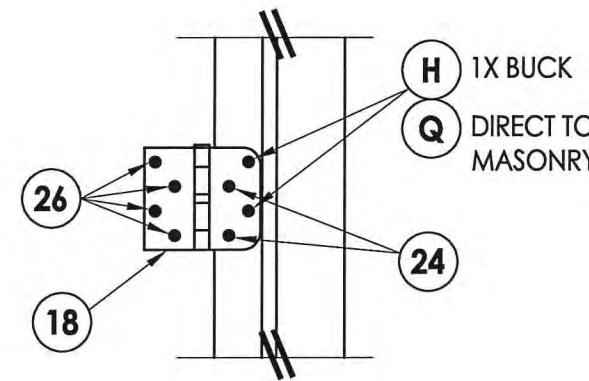
**HINGE JAMB**



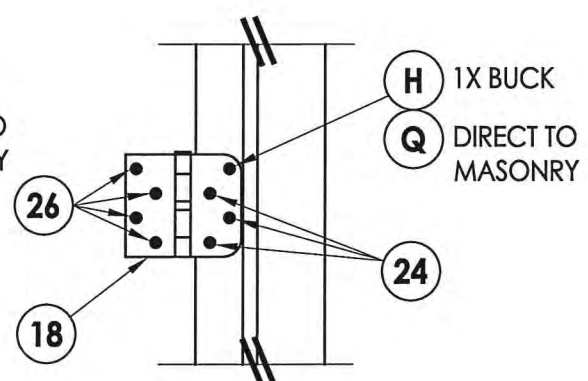
**STRIKE JAMB**



**STRIKE PLATE DETAIL**  
1X buck



**HINGE DETAIL 1**

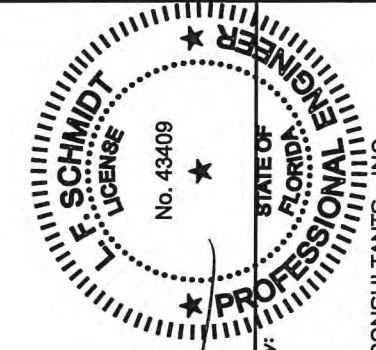


**HINGE DETAIL 2**

**CONCRETE ANCHOR NOTES:**

1. Concrete anchor locations at the corners may be adjusted to maintain the min. edge distance to mortar joints.
2. Concrete anchor locations noted as "MAX. ON CENTER" must be adjusted to maintain the min. edge distance to mortar joints, additional concrete anchors may be required to ensure the "MAX. ON CENTER" dimension are not exceeded.
3. Concrete anchor table:

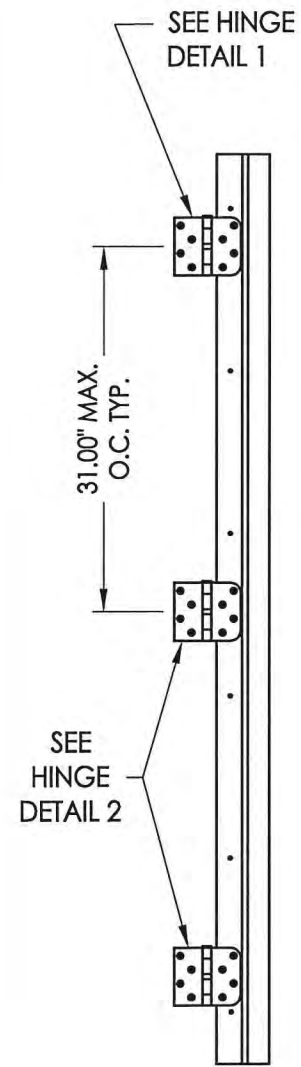
ANCHOR TYPE	ANCHOR SIZE	MIN. EMBEDMENT	MIN. CLEARANCE TO MASONRY EDGE	MIN. CLEARANCE TO ADJACENT ANCHOR
ITW TAPCON®	1/4"	1-1/4"	2"	4"
ELCO ULTRACON®	1/4"	1-1/4"	1"	4"
ITW TAPCON®	3/16"	1-1/4"	3"	1-1/2"



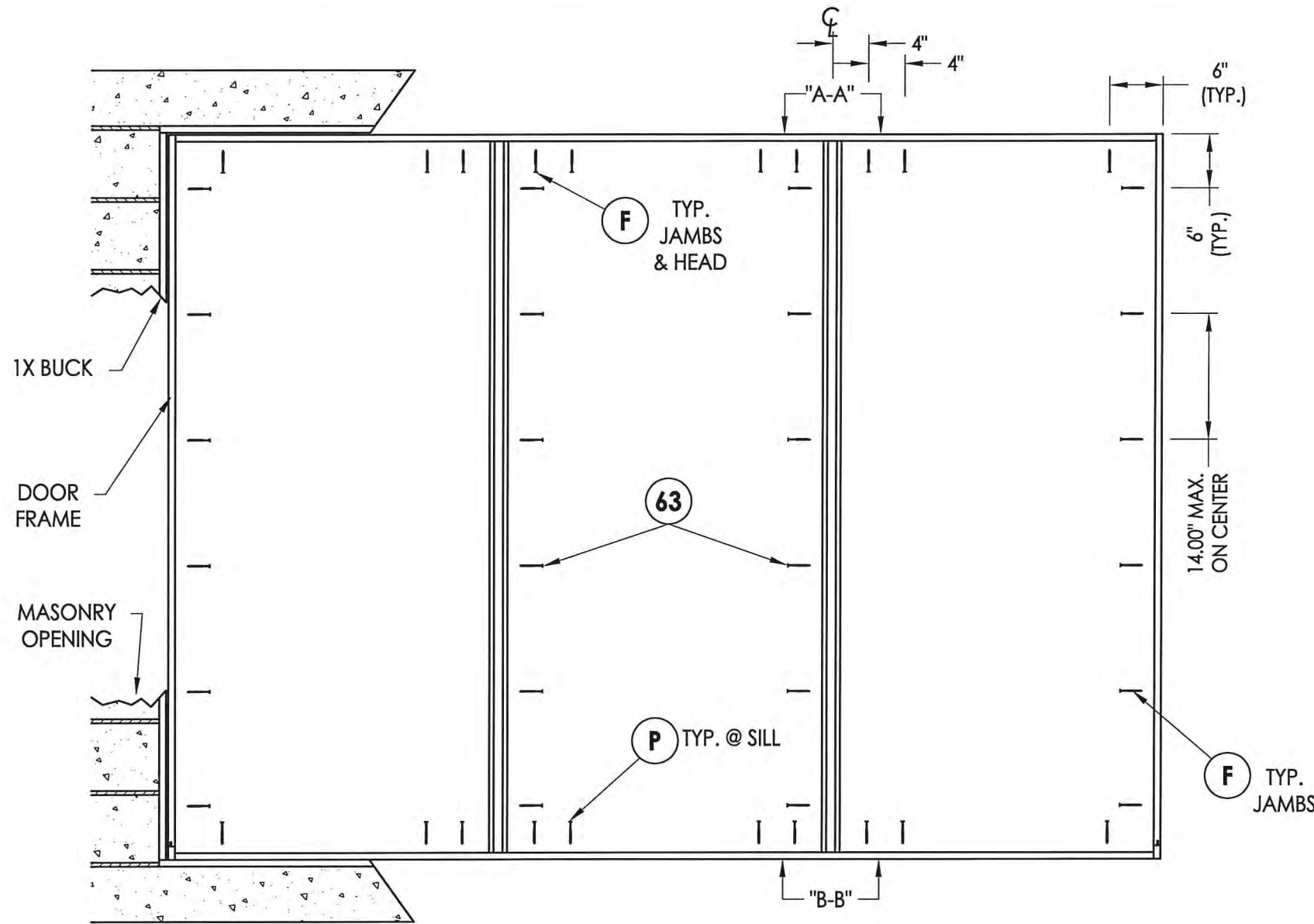
Documents Prepared By:  
Lyndon F. Schmidt  
P.E. No. 43409

**R.W. BUILDING CONSULTANTS, INC.**  
P.O. Box 230, Valrico, FL 33595  
Phone No.: 813.659.9197  
FBPE C.A. No. 9813

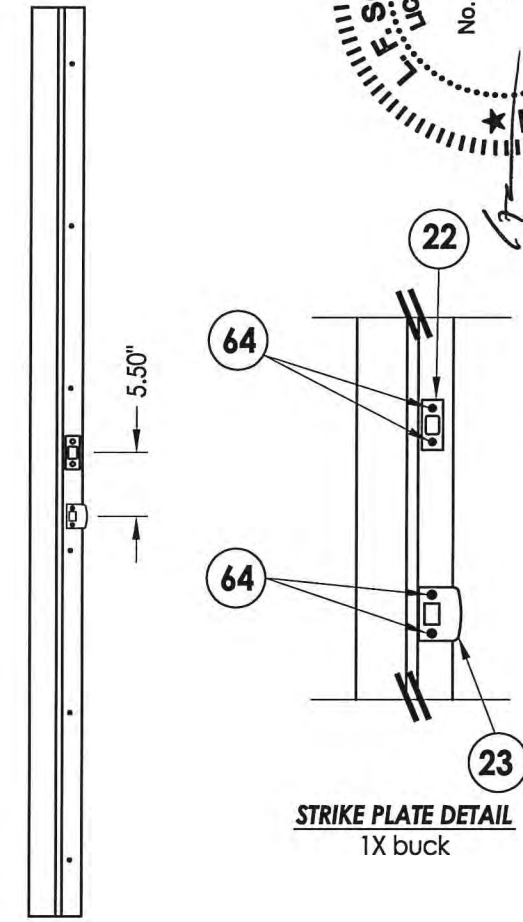
PRODUCT:	TRINITY GLASS INT'L
PART OR ASSEMBLY:	FRAME ANCHORING 1x BUCK MASONRY CONSTRUCTION
DATE:	02/27/12
SCALE:	N.T.S.
DWG. BY:	JK
CHK. BY:	LFS
DRAWING NO.:	FL-15255.3
SHEET	13 OF 16



**HINGE JAMB**



**FRAME ANCHORING**  
Masonry 1X buck construction

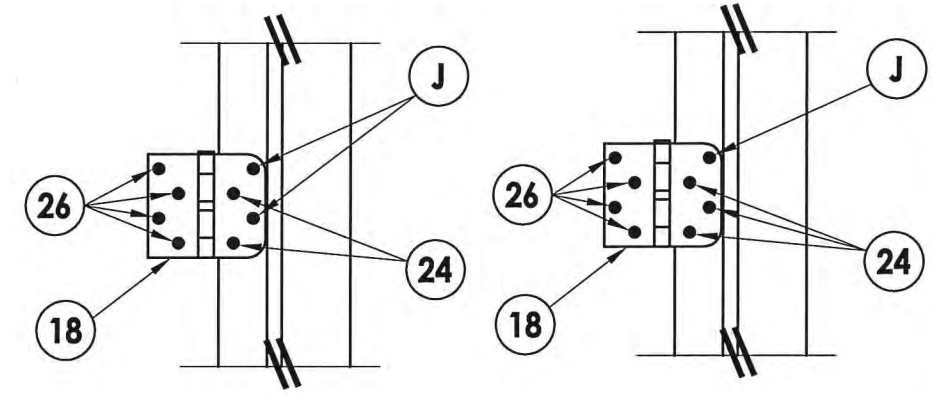


**STRIKE JAMB**

**CONCRETE ANCHOR NOTES:**

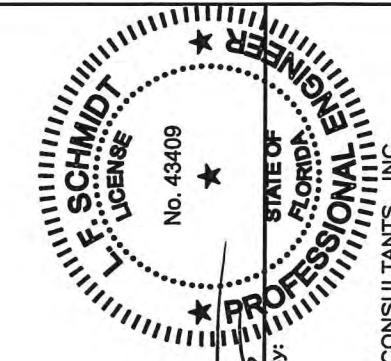
1. Concrete anchor locations at the corners may be adjusted to maintain the min. edge distance to mortar joints.
2. Concrete anchor locations noted as "MAX. ON CENTER" must be adjusted to maintain the min. edge distance to mortar joints, additional concrete anchors may be required to ensure the "MAX. ON CENTER" dimension are not exceeded.
3. Concrete anchor table:

ANCHOR TYPE	ANCHOR SIZE	MIN. EMBEDMENT	MIN. CLEARANCE TO MASONRY EDGE	MIN. CLEARANCE TO ADJACENT ANCHOR
ITW TAPCON®	1/4"	1-1/4"	2"	4"
ELCO ULTRACON®	1/4"	1-1/4"	1"	4"
ITW TAPCON®	3/16"	1-1/4"	3"	1-1/2"



**HINGE DETAIL 1**

**HINGE DETAIL 2**



Documents Prepared By:  
Lyndon F. Schmidt  
P.E. No. 43409

**R.W.** BUILDING CONSULTANTS, INC.  
P.O. Box 230, Vairico, FL 33595  
Phone No.: 813.659.9197  
FBPE C.A. No. 9813

PRODUCT: TRINITY GLASS INT'L

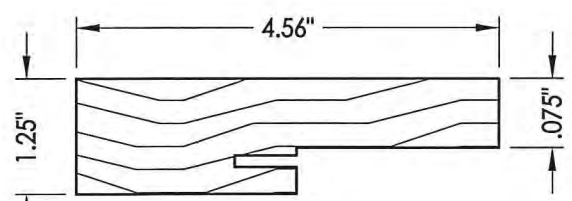
PART OR ASSEMBLY: FRAME ANCHORING  
1x BUCK MASONRY CONSTRUCTION

NO.	DATE	BY	REVISIONS
1	03/02/15	JK	UPDATE TO 5TH ED. (2014) FBC

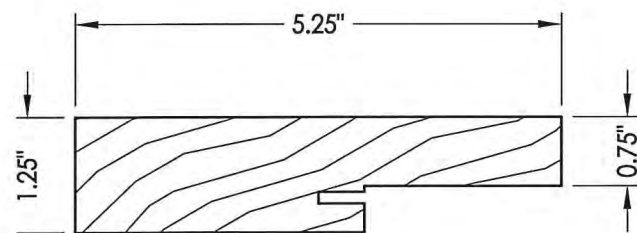
DATE: 02/27/12  
SCALE: N.T.S.  
DWG. BY: JK  
CHK. BY: LFS  
DRAWING NO.: FL-15255.3  
SHEET 14 OF 16



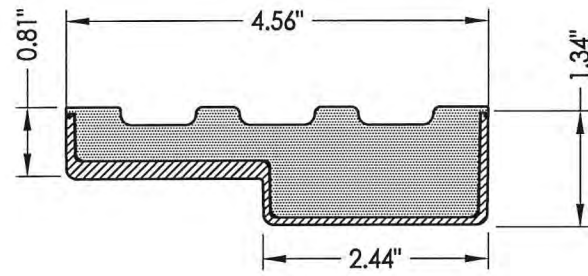
R:\Clients\Trinity PERMANENT\Florida Product Approvals\FL-15255\C - Drawings\FL-15255\FL-15255.1-4.dwg, 15.3



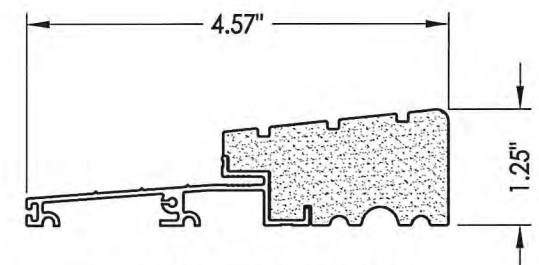
**1 SIDE & HEAD JAMBS**



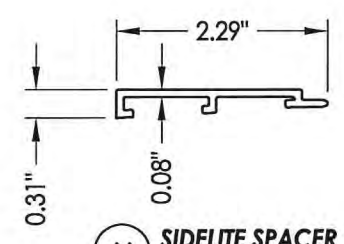
**1A SIDE & HEAD JAMBS**  
(5-1/4" or larger)



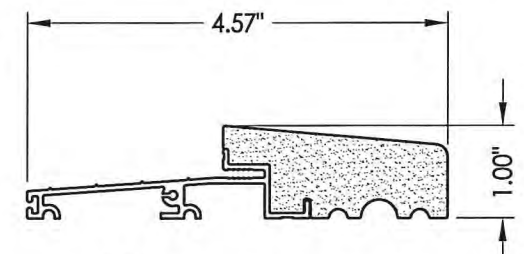
**2 HEAD AND JAMBS**  
Composite PVC Base  
w/ Fiberglass Wrap



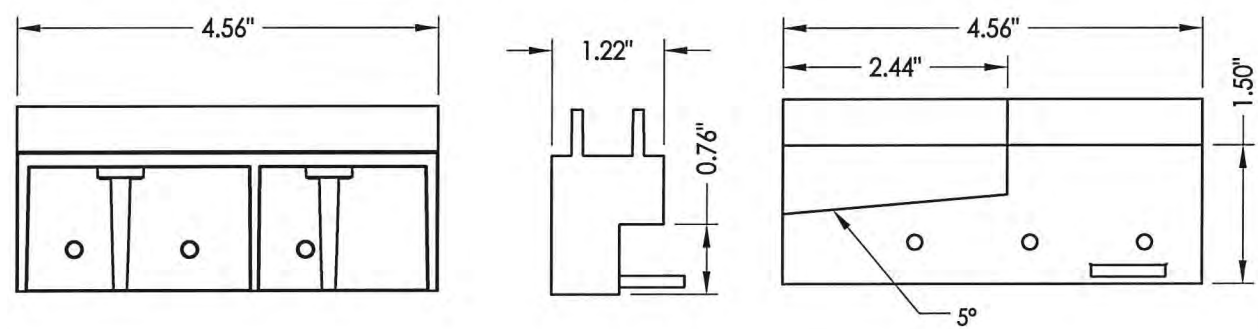
**25 OUTSWING THRESHOLD**  
High-dam option



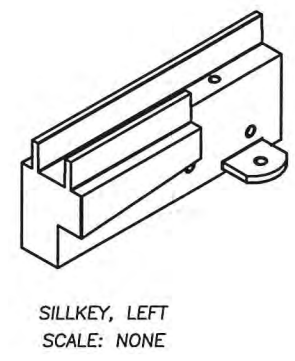
**66 SIDELITE SPACER**  
Outswing



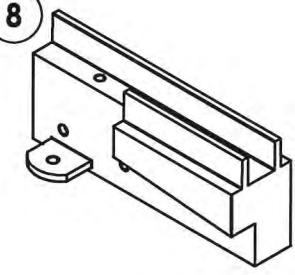
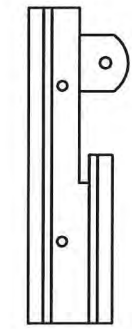
**27 OUTSWING THRESHOLD**



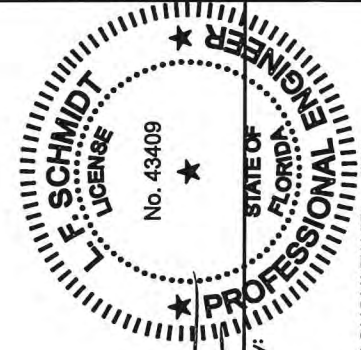
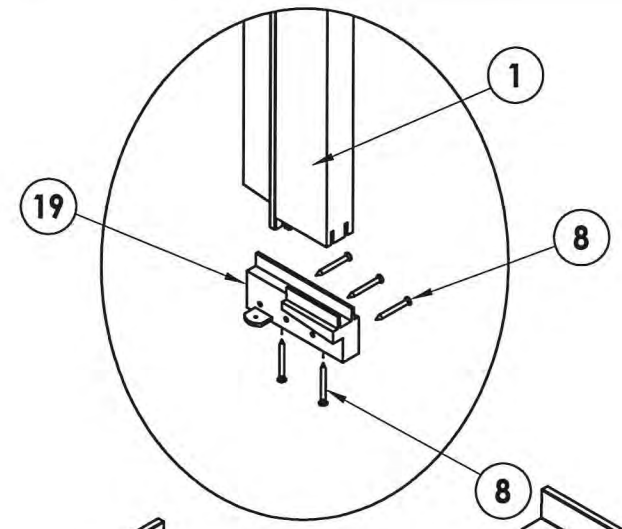
**19 SILLKEY DETAILS**  
Optional



SILLKEY, LEFT  
SCALE: NONE



SILLKEY, RIGHT  
SCALE: NONE

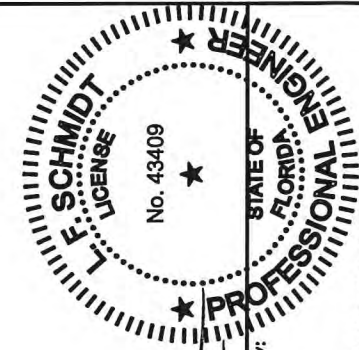


Documents Prepared By:  
Lyndon F. Schmidt  
P.E. No. 43409

**R.W.** BUILDING CONSULTANTS, INC.  
P.O. Box 230, Valrico, FL 33595  
Phone No.: 813.659.9197  
FBPE C.A. No. 9813

PRODUCT:	TRINITY GLASS INT'L	
PART OR ASSEMBLY:	COMPONENTS	
DATE:	02/27/12	
SCALE:	N.T.S.	
DWG. BY:	JK	
CHK. BY:	LFS	
DRAWING NO.:	FL-15255.3	
SHEET	15 of 16	
NO.	DATE	REVISIONS
1	03/02/15	UPDATE TO 5TH ED. (2014) FBC
JK		BY

BILL OF MATERIALS		
ITEM #	DESCRIPTION	MATERIAL
A	1X BUCK SG >= 0.55	WOOD
B	2X BUCK SG >= 0.55	WOOD
C	1/4" MAX. SHIM SPACE	-
D	1/4" X 2-3/4" PFH ELCO OR ITW CONCRETE SCREW	STEEL
E	MASONRY - 3,000 PSI MIN. CONCRETE CONFORMING TO ACI 301 OR HOLLOW BLOCK CONFORMING TO ASTM C90	CONCRETE
F	1/4" X 3-3/4" PFH ITW CONCRETE SCREW	STEEL
H	1/4" X 3-1/4" PFH ITW CONCRETE SCREW	STEEL
J	#9 X 2-1/4" PFH WS	STEEL
L	#8 X 2-1/2" PFH WS	STEEL
M	3/16" X 3-1/4" PFH ITW CONCRETE SCREW	STEEL
P	1/4" X 2-3/4" PFH ELCO OR ITW CONCRETE SCREW	STEEL
1	JAMB (FINGER-JOINT PINE - SG >= 0.42)	WOOD
1A	STRIKE JAMB - FINGER-JOINT PINE (5-1/4") - SG >= 0.42	
2	JAMB	PVC
3	JAMB	FIBERGLASS/COMP
8	#6 X 1-1/4 PFH DRYWALL SCREW	STEEL
9	#9 X 2-1/4" PFH WOOD SCREW	STEEL
12	WEATHER STRIP QEBD650 Q-LON	-
18	3.983" X 4.0" HINGE MIN 0.098" THICK	STEEL
19	SILLKEY	PC/ASA
22	DEADBOLT STRIKE PLATE	STEEL
23	STRIKE PLATE	STEEL
24	#9 X 5/8" PFH WS	STEEL
25	OUTSWING HIGH-DAM THRESHOLD ALUMINUM W/ COMPOSITE SUBSTRATE	ALUM./ COMP.
26	#9 X 1.0" PFH WS	STEEL
27	OUTSWING THRESHOLD ALUMINUM W/ COMPOSITE SUBSTRATE	ALUM./ COMP.
40	DOOR PANEL - SEE DOOR PANEL DETAIL SHEET FOR CONSTRUCTION DETAILS	-
60	SIDELITE PANEL - SEE SIDELITE PANEL DETAIL SHEET FOR CONSTRUCTION DETAILS	-
63	#8 X 2-1/4" PFH WOOD SCREW	STEEL
64	#8 X 2" PFH WOOD SCREW	STEEL
67	INTEGRAL MULLION - FINGER JOINT PINE (SG >= 0.42)	WOOD
69	MULLION BASE KIT	PC/ASA



Documents Prepared By:  
Lyndon F. Schmidt  
P.E. No. 43409

**R.W.** BUILDING CONSULTANTS, INC.  
P.O. Box 230, Valrico, FL 33595  
Phone No.: 813.659.9197  
FBPE C.A. No. 9813

PRODUCT: TRINITY GLASS INT'L  
PART OR ASSEMBLY: BILL OF MATERIALS

NO.	DATE	JK	BY
1	103/02/15	JK	BY

DATE: 02/27/12  
SCALE: N.T.S.  
DWG. BY: JK  
CHK. BY: LFS  
DRAWING NO.: FL-15255.3  
SHEET 16 OF 16